



SELF-CONTAINED ICE MAKER

**FM-150KE
FM-150KE-N
FM-150KE(HS)
FM-150KE-N(HS)
CM-140KE**

PARTS LIST

[HE]

F080, F080-C103, F080-C106, F080-C170, F080-C171

B-1 MAR. 2012
C-0 JAN. 2013
C-1 APR. 2013
G-1 MAR. 2017
G-2 JUN. 2017
H-0 JAN. 2018
H-1 JAN. 2018
H-2 JAN. 2018
H-3 APR. 2018
H-5 OCT. 2018
J-1 APR. 2019
J-2 APR. 2019

F080-3689 (0419)

List of Specifications

MODEL	MODEL NUMBER	DESTINATION
FM-150KE	F080	GENERAL
CM-140KE	F080-C103	GENERAL
FM-150KE-N	F080-C106	GENERAL
FM-150KE(HS)	F080-C170	For HS
FM-150KE-N(HS)	F080-C171	For HS

AUXILIARY CODE

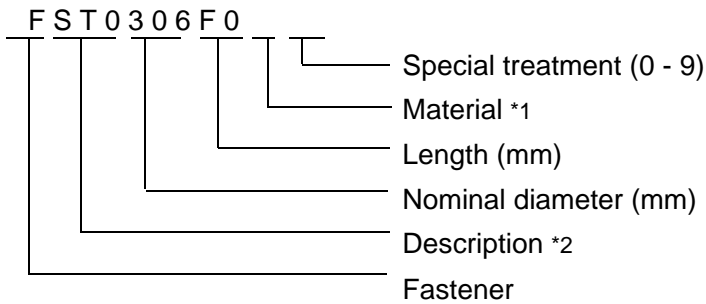
U - 1

The auxiliary code is the first two characters in the serial number. The first character indicates the production year. Years progress or regress in alphabetical order. The series of letters and skipped letters depend on UL listing, production, and model. See the auxiliary code(s) and corresponding year(s) on the front cover.

The second character indicates significant part changes within the same year. Base is "1" and this number advances for each change. If there is no significant part change at the turn of the year, this number starts from "0."

FASTENER PART NUMBER

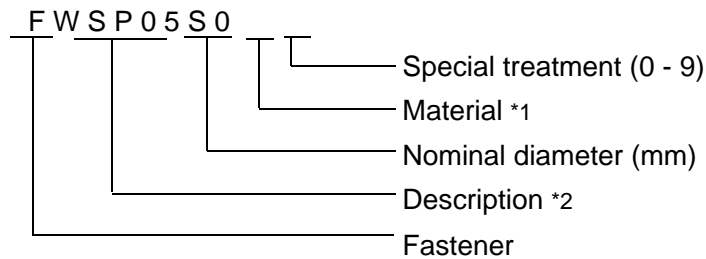
SCREWS



*1 Material

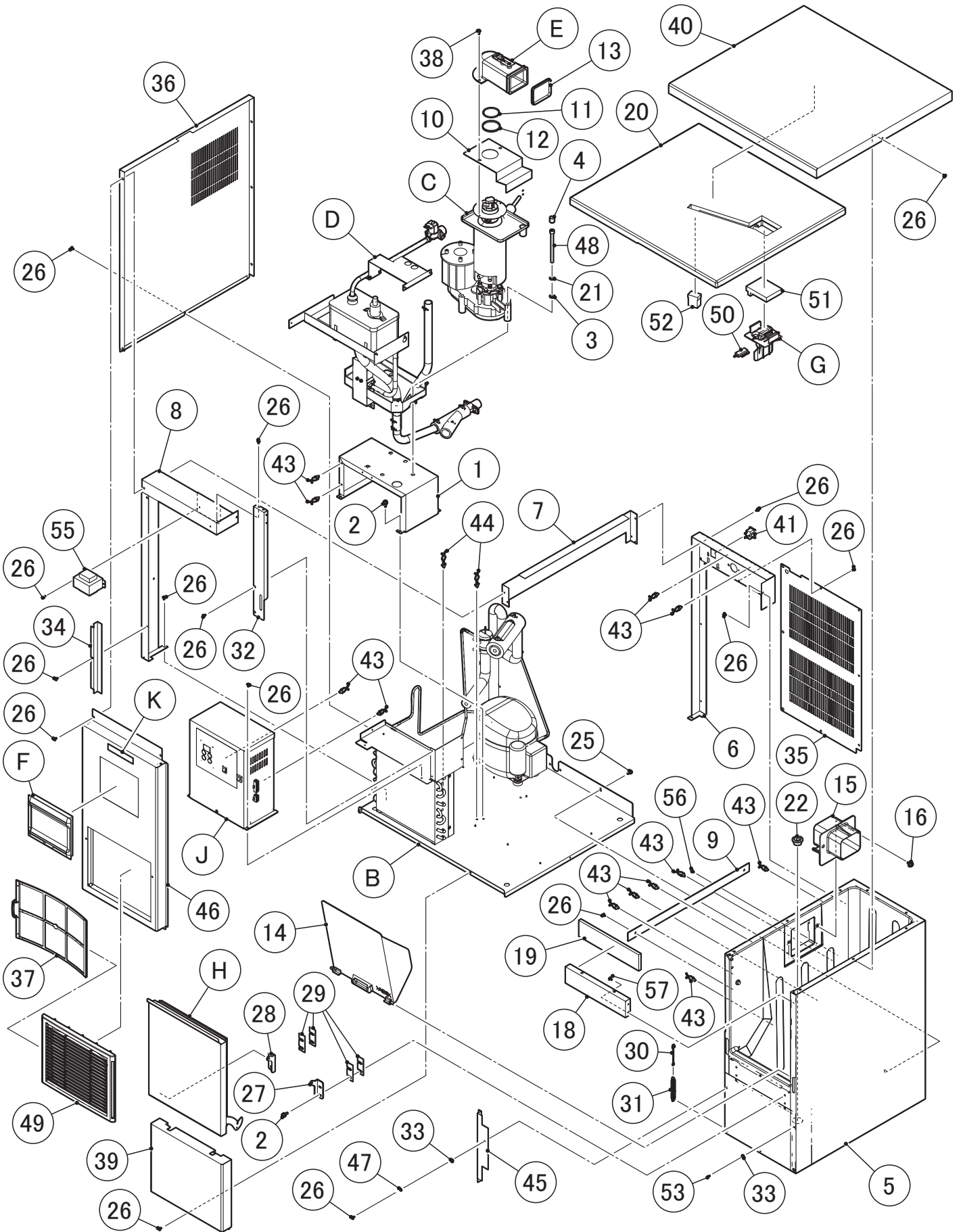
- F: Steel
- S: Austenitic stainless steel
- M: Martensitic stainless steel
- B: Copper alloy
- P: Polycarbonate
- N: Polyamide
- V: PVC
- A: ABS
- X: Polyacetal
- L: Aluminum

NUTS & WASHERS



*2 Description

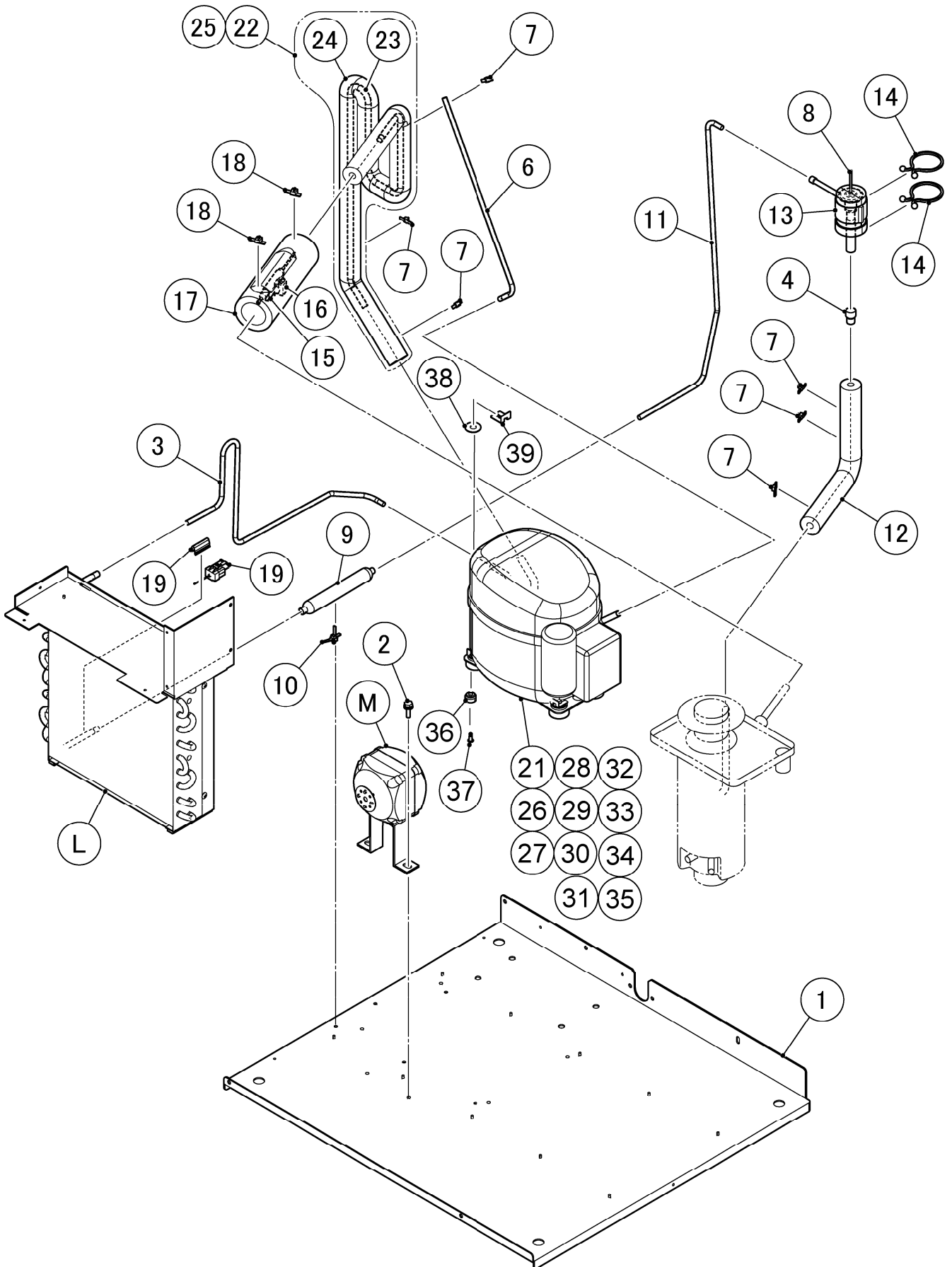
- First letter
- S: Machine screw
- T: Tapping screw
- M: Wood screw
- B: Bolt
- W: Washer
- N: Nut



MODEL: **FM-150KE,**
FM-150KE-N,
CM-140KE

TITLE: **A. ICE FLAKER ASSY**

INDEX NO.	DESCRIPTION	MATERIAL OR MODEL NUMBER	PART NUMBER	REQ'D NUMBER						
				B-1 C-0	C-1 G-0	G-1	G-2	H-0 H-1	H-2 J-1	J-2 and later
9	BRACE - EVAPORATOR		476423M01	1	1	1	1	1	1	1
10	BRACKET-EVA		376026M01	1	1	1	1	1	1	1
11	O-RING		7616-G045	1	1	1	1	1	1	1
12	RING		432661-03	1	1	1	1	1	1	1
13	PACKING (A) - SPOUT		427152-02	1	1	1	1	1	1	1
14	SLOPE		362588G01	1	1	1	1	1	1	1
15	SPOUT(B)		232654-02	1	1	1	1	1	1	1
16	BOLT		462612-01	2	2	2	2	2	2	2
18	FRONT FRAME - BIN		466312-01	1	1	1	1	1	1	1
19	INSULATION - FRONT		466394-01	1	1	1	1	1	1	1
20	UPPER PANEL		258350G01	1	1	1	1	1	1	1
21	SPRING WASHER		FWSP08S0	3	3	3	3	3	3	3
22	DRAIN PIPE		466275-01	1	1	1	1	1	1	1
25	HEX HEAD BOLT (SPRING WASHER AND FLAT WASHER)		FBK0512S0	1	1	1	1	1	1	1
26	TRUSS HEAD TAPPING SCREW (S-TITE)		FTS0408M0	38	38	38	38	38	38	38
27	HINGE (R)		4H2583-01	1	1	1	1	1	1	1
28	HINGE (L)		4H2584-01	1	1	1	1	1	1	1
29	HINGE SPACER (B)		4H0605-02	2	2	2	2	2	2	2
30	HOOK		404060-07	1	1	1	1	1	1	1
31	SPRING		4H0491-01	1	1	1	1	1	1	1
32	FRONT PLATE		358898-01	1	1	1	1	1	1	1
33	TAPER COLLAR		4H0171-01	2	2	2	2	2	2	2
34	BARRIER - AIR		466295-01	1	1	1	1	1	1	1
35	REAR PANEL(L)		261575M01	1	1	1	1	1	1	1
36	SIDE PANEL(L)		261576M01	1	1	1	1	1	1	1
37	AIR FILTER		2X0416G01	1	1	1	1	1	1	1
38	HEX HEAD BOLT (SPRING WASHER AND FLAT WASHER)		FBK0412S0	3	3	3	3	3	3	3
39	FRONT PANEL (R)		362595-01	1	1	1	1	1	1	1
40	TOP PANEL		241759-01	1	1	1	1	1	1	1



MODEL: **FM-150KE,**
FM-150KE-N,
CM-140KE

TITLE: **B. REFRIGERATION CIRCUIT**

INDEX NO.	DESCRIPTION	MATERIAL OR MODEL NUMBER	PART NUMBER	REQ'D NUMBER					
				B-1 C-0	C-1 G-0	G-1	G-2	H-0 H-1	H-2 and later
L	CONDENSER ASSY		261567A01	1	1	1	1	1	1
M	FAN MOTOR ASSY		3Y5886A01	1	1	1	1	1	1
1	BASE		261577G01	1	1	1	1	1	1
2	BOLT		458660-01	2	2	2	2	2	2
3	COPPER TUBE (A) -HIGE SIDE		376027M01	1	1	1	1	1	1
4	REDUCER		421904-01	1	1	1	1	1	1
6	PROCESS TUBE - LOW SIDE		476426M01	1	1	1	1	1	1
7	TIE	CV-150	7920-0003	6	6	6	6	6	6
8	EXPANSION VALVE		446808-01	1	1	1	1	1	1
9	DRIER		P00026-01	1	1	1	1	1	-
			P04629-01	-	-	-	-	-	1
10	TIE		457167-01	1	1	1	1	1	1
11	COPPER TUBE B-H		376028M01	1	1	1	1	1	-
			386062M01	-	-	-	-	-	1
12	INSULATION TUBE		H71030300	1	1	1	1	1	1
13	VALVE COVER		3Y3196P01	1	1	1	1	1	1
14	CLAMP		P00752-01	2	2	2	2	2	2
15	HOLDER - EXPV		451267-01	1	1	1	1	1	1
16	CLAMP		443461-01	1	1	1	1	1	1
17	Insulation Tube		H73858B15	1	1	1	1	1	1
18	TIE		7920-0028	2	2	2	2	2	2
19	THERMISTOR ASSY	CV-300	476475G01	1	1	1	1	1	1
20	THERMISTOR - HOLDER		458132-01	1	1	1	1	1	1
21	COMPRESSOR		P02531-01	1	1	1	1	1	1
22	SUCTION PIPE AY		261568A01	1	1	1	1	1	1
23	SUCTION PIPE AY		261568M01	1	1	1	1	1	1
24	INSULATION TUBE	7762-1030	H71030H10	1	1	1	1	1	1
25	NEOBELT PC		446470-01	1	1	1	1	1	1
26	TERMINAL BOARD		P02612-01	1	1	1	1	1	1
27	STARTING RELAY		P03286-01	1	1	1	1	1	1

