



SELF-CONTAINED CRESCENT CUBER
MÁQUINA AUTÔNOMA DE GELO CRESCENTE (MEIA LUA)

KM-115B
KM-140B

INSTRUCTION MANUAL

(original instructions)

MANUAL DE INSTRUÇÕES

(Instruções traduzidas)

HOSHIZAKI (SUZHOU) CO., LTD.

No. 15 Qingqiu Street, Suzhou Industrial Park, Suzhou 215126 China

L1F123101 (123118)

IMPORTANT SAFETY INFORMATION

Throughout this manual, notices appear to bring your attention to situations which could result in death, serious injury, or damage to the unit.

WARNING	Indicates a hazardous situation which, if not avoided, could result in death or serious injury.
CAUTION	Indicates a hazardous situation which, if not avoided, could result in minor or moderate injury.
NOTICE	Indicates a hazardous situation which, if not avoided, could result in damage to the unit.
HYGIENE	Indicates important precautions for hygiene and food safety.
IMPORTANT	Indicates important information about the use and care of the unit.

IMPORTANT

This booklet is an integral and essential part of the product and should be kept and preserved by the user.

Please read carefully the guidelines and warnings contained herein as they are intended to provide the installer/user with essential information for the proper installation and the continued safe use and maintenance of the product.

Please preserve this booklet for any further consultation that may be necessary.

WARNING

This is a commercial icemaker, and should be destined only to be used for the purpose for which it has been expressly designed.

Any other use should be considered improper and therefore dangerous. The manufacturer will not be held liable or responsible for any damage caused by improper, incorrect and unreasonable use.

The installation, and relocation if necessary, must be carried out by qualified personnel, in accordance with current regulations, according to the manufacturer's instructions.

Keep ventilation openings, in the appliance enclosure or in the built-in structure, clear of obstruction.

ENGLISH

The use of any electrical appliance involves the observance of some fundamental rules. In particular:

- * Instances of high humidity and moisture increase the risk of electrical short circuits and potential electrical shocks. If in doubt, disconnect the icemaker.
- * Do not damage the power cord or pull it in order to disconnect the icemaker from the electrical supply network.
- * If the supply cord is damaged, it must be replaced by a replacement cord available from Hoshizaki Parts/Service Centres.
- * Do not touch the electrical parts or operate the switches with damp hands.
- * This appliance is not intended for use by persons (including children) with reduced physical, sensory or mental capabilities, or lack of experience and knowledge, it can however be used by children aged from 8 years and above and persons with reduced physical, sensory or mental capabilities, or lack of experience and knowledge providing they have been given supervision or instruction concerning use of the appliance by a person responsible for their safety.
- * Children shall not play with the appliance.
- * Cleaning and user maintenance shall not be made by children without supervision.
- * Do not attempt to modify the icemaker. Only qualified personnel may disassemble or repair the appliance.

I. INSTALLATION INSTRUCTIONS

1. UNPACKING

WARNING

Children should not be allowed in reach of the packaging elements (plastic bags and expanded polystyrene) as they are potential sources of danger.

CAUTION

Remove shipping carton, tape(s) and packing. If packing material is left in the icemaker, it will not work properly.

- 1) After removing the packaging, make sure that the icemaker is in good condition. If in doubt, please do not use the equipment but apply to professionally qualified personnel.
- 2) Remove shipping tape holding the door and separator.
- 3) Remove the protective plastic film from the exterior. If the icemaker is exposed to the sun or to heat, remove the film after the icemaker cools.
- 4) Remove the package of accessories, and check the contents:

a) Outlet Hose	1
b) Scoop	1
c) Hose Adapter	1
d) Duct	1
e) Screw	3
f) Leg	4
g) Power Supply Cord	1
- 5) Attach the duct to the rear panel using the three screws provided. See Fig. 1.

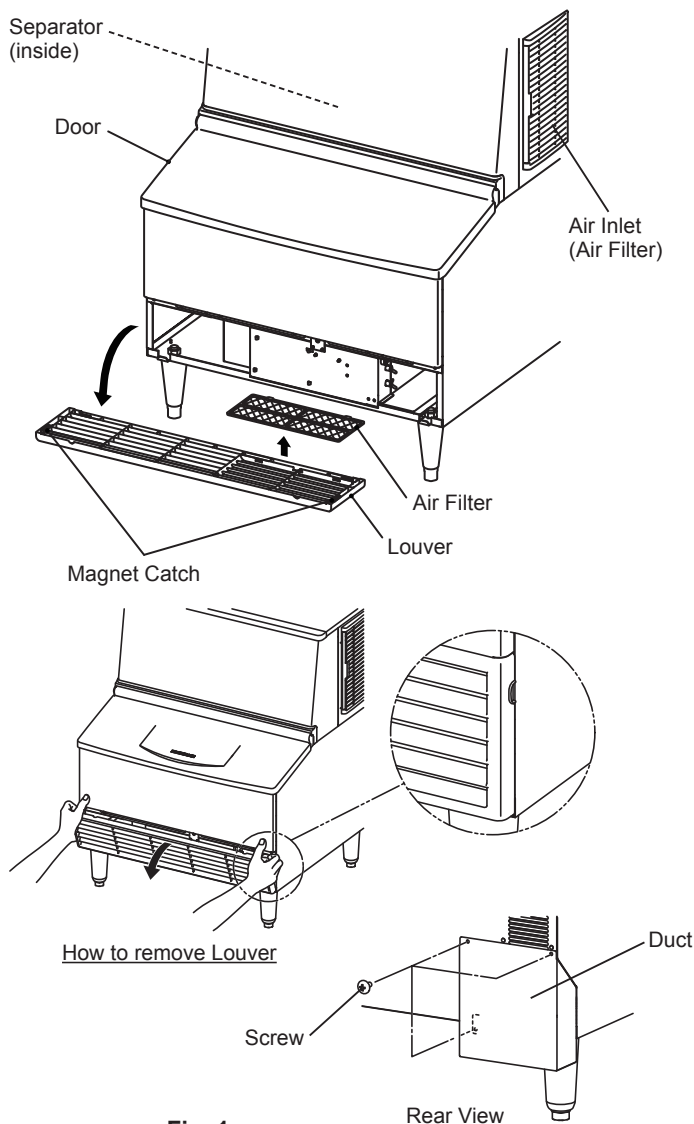


Fig. 1

2. LOCATION

IMPORTANT

1. This icemaker is not intended for outdoor use. Normal operating ambient temperature should be within 7°C to 43°C. Normal operating water temperature should be within 7°C to 35°C. Operation of the icemaker, for extended periods, outside of these normal temperature ranges may affect production capacity.
2. The icemaker should not be located next to ovens, grills or other high heat producing equipment.
3. The location should provide a firm and level foundation for the equipment.
4. Allow at least 5 cm clearance at the right side for proper air circulation and at least 15 mm clearance at top for ease of maintenance and/or service should they be required.
5. This appliance is not suitable for installation in an area where a water jet could be used and where dripping is not allowed.
6. Do not place anything on top, front and right side of the icemaker. Especially, do not block the air inlet at the right side.
7. This icemaker will not work at subfreezing temperatures. To prevent damage to the water supply line, drain the icemaker when air temperature is below zero (see "II. 2. PREPARING THE ICEMAKER FOR LONG STORAGE").

3. INSTALLATION

- * Incorrect installation can cause harm to people, animals or things, for which the manufacturer cannot be held responsible.
- * Place the icemaker in the selected permanent site.
- * The appliance must be positioned so that the plug is accessible.

4. ELECTRICAL CONNECTIONS

WARNING

THIS APPLIANCE MUST BE EARTHED

This icemaker requires an earth that meets the national and local electrical code requirements. To prevent possible severe electrical shock to individuals or extensive damage to equipment, install a proper earth wire to the icemaker. Remove the plug from the mains socket before any maintenance, repairs or cleaning is undertaken.

- * This appliance requires a separate 220 - 240VAC, 10A supply. The electrical supply must be protected by a suitable circuit breaker.
- * The main control box fuse is rated at 5A, 250V and should only be replaced by a qualified service engineer.
- * Usually an electrical permit and services of a licensed electrician are required.

5. WATER SUPPLY AND DRAIN CONNECTIONS

WARNING

Connect to potable water supply only.

- * The connections to the mains water supply must be made in accordance with the countries' current requirements of the Water Supply or Water Fittings Regulations.
- * Icemaking water must be potable water. Where scaling can be caused by water quality, installation of an external filter or softener is recommended. Contact your local water treatment professional or Hoshizaki service agent.
- * Water supply pressure should be minimum 0.07 MPa (0.7 bar) and maximum 0.8 MPa (8 bar). If the pressure exceeds 0.8 MPa (8 bar),

use a pressure reducing valve. Do **NOT** throttle back the supply tap.

- * Be sure to use the new hose-sets supplied with the appliance. Do not reuse any old hose-sets.
- * A plumbing permit and services of a licensed plumber may be required in some areas.
- * Water should drain into an open trap.
- * The icemaker drain is gravity flow, so ensure drain pipe has an adequate pitch or fall.
- * To prevent a backflow into the storage bin, the outlet hose must be laid as shown in Fig. 2.

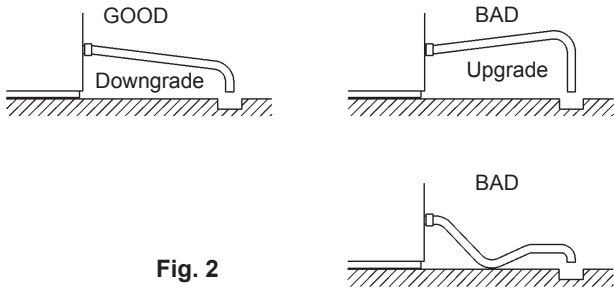


Fig. 2

- 1) Attach the free end of inlet hose to the stop valve (Fig. 4), noting washer is correctly positioned. Hand tighten sufficiently to provide leak free joint. It is a wise precaution to have the stop valve within easy reach.
- 2) Wrap P.T.F.E. tape around the hose adapter fitting, and screw the hose adapter into the drain outlet of the icemaker. Hand tighten grey flexible outlet hose (accessory) onto the hose adapter as indicated (Fig. 3). The pipe can be cut to length as necessary to suit position of main drain. To prevent water leaks, secure the outlet hose to the drain outlet by using a hose band.

Note: Jointing compounds should be approved and suitable for potable water use.

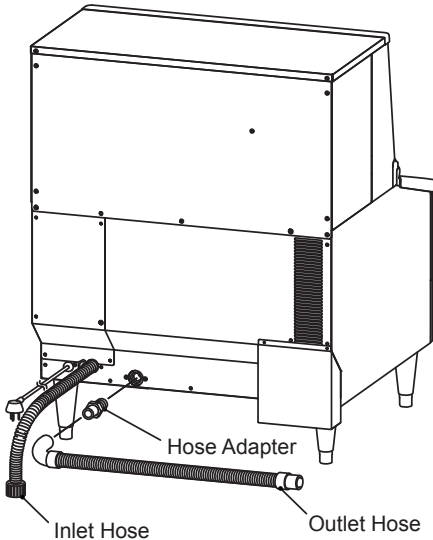


Fig. 3

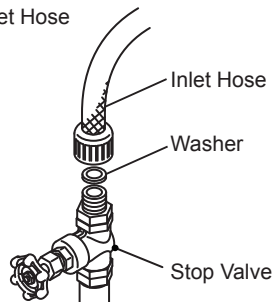


Fig. 4

II. OPERATING INSTRUCTIONS

WARNING

1. This icemaker is designed to produce and store edible ice. To keep the icemaker hygienic:
 - * Wash your hands before removing ice. Use the plastic scoop provided (accessory).
 - * The storage bin is for ice use only. Do not store anything else in the bin.
 - * Clean the storage bin before use (see "III. 1. CLEANING").
 - * Keep the scoop clean. Clean it by using a neutral cleaner and rinse thoroughly.
 - * Close the door after removing ice to prevent entrance of dirt, dust or insects into the storage bin.
2. All parts are factory-adjusted. Improper adjustments may result in failure.
3. If the unit is turned off, wait for at least 3 minutes before restarting the icemaker to prevent damage to the compressor.

1. OPERATION

The installer will normally commission the icemaker to start the automatic icemaking process. To ensure continuous operation, make sure that:

- * The water supply tap is on,
- * The icemaker is plugged into the power supply, and
- * The control switch is in the "ICE" position (remove the louver to check).

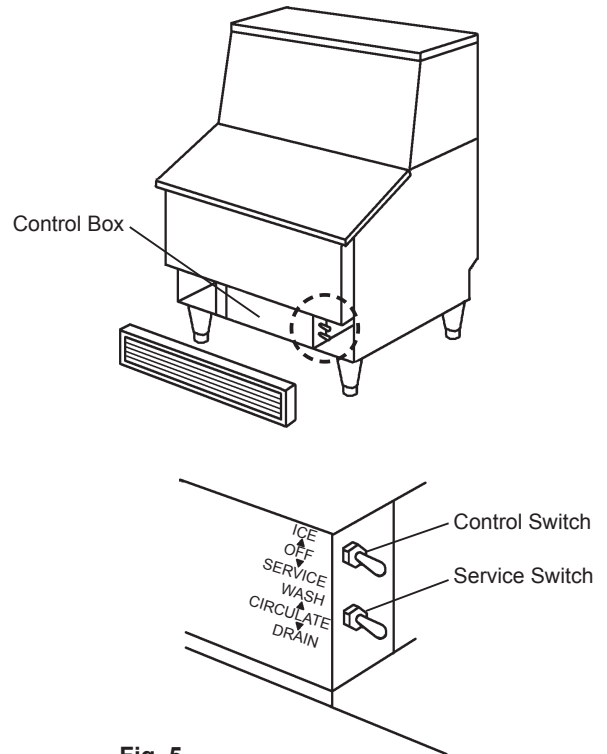


Fig. 5

2. PREPARING THE ICEMAKER FOR LONG STORAGE

IMPORTANT

When shutting off the icemaker for an extended time, drain out all water from the water lines and remove the ice from the storage bin. The storage bin should be cleaned and dried. Drain the icemaker using air or carbon dioxide to prevent damage to the water supply lines at sub-freezing temperatures. Shut off the icemaker until the proper ambient temperature is resumed.

When the icemaker is not used for two or three days, it is sufficient to only move the control switch to the "OFF" position, unless the icemaker will be at sub-freezing temperatures.

[1] Remove the water from the potable water supply line:

- 1) Remove the louver if it has not already been removed.
- 2) Move the control switch on the control box to the "OFF" position. See Fig. 5.
- 3) Wait 3 minutes.
- 4) Close the potable water supply line stop valve. See Fig. 4.
- 5) Remove the inlet hose.

[2] Drain the potable water tank:

- 1) Move the control switch to the "SERVICE" position and the service switch to the "DRAIN" position.
- 2) After 2 minutes, move the control switch to the "OFF" position.
- 3) Open the door. Remove all ice from the storage bin and clean the storage bin.
- 4) Close the door.
- 5) Replace the louver in its correct position.
- 6) Turn off the power supply at the breaker box.

III. MAINTENANCE

1. CLEANING

WARNING

1. Before carrying out any cleaning or maintenance operations, unplug the icemaker from the electrical supply network.
2. Ask a trained service person to check and clean the condenser at least once a year.
3. This appliance must not be cleaned by use of a water jet.
4. Do not use any alcohol for cleaning/sanitisation of the icemaker. It may cause cracks on the plastic parts.
5. To prevent possible damage, do not clean the plastic parts with water above 40°C or in a dishwasher.

[1] Exterior

Wipe the exterior at least once per week with a clean, soft cloth. Use a damp cloth containing a neutral cleaner to wipe off grease or dirt.

[2] Scoop and Bin Door Grip Cleaning/Sanitisation (Daily)

- 1) Either mix 3 litres of water with 11 ml of 5.25% sodium hypochlorite solution in a suitable container, or the recommended Hoshizaki sanitiser as directed.
- 2) Soak the scoop in the solution for more than 3 minutes. Rinse thoroughly, and shake to remove surplus liquid.

Note: Using a cloth to dry may re-contaminate.

- 3) Use a neutral cleaner to wash the bin door grip. Rinse thoroughly.
- 4) Soak a clean cloth with the sanitising solution, and wipe the grip. Use fresh water and a clean cloth to rinse/dry.

[3] Storage Bin Interior Cleaning/Sanitisation (Weekly)

- 1) Open the storage bin door, and remove all ice.
- 2) Wash the bin liner with a neutral non-abrasive cleaner. Rinse thoroughly.

- 3) Soak a clean cloth with the neutral cleaner, and wipe the door inner surface. Wipe off the cleaner with a clean damp cloth.
- 4) Either mix 3 litres of water with 11 ml of 5.25% sodium hypochlorite solution in a suitable container or the recommended Hoshizaki sanitiser as directed.
- 5) Soak a clean sponge or cloth with the solution, and wipe the bin liner and bin door.
- 6) Rinse thoroughly with fresh water and a clean cloth to wipe off the solution. Close the bin door.

Note: Some solutions may cause damage to the bin liner surfaces or corrosion on the metal parts. Always rinse the sanitiser unless directed otherwise by Hoshizaki guidelines.

[4] Air Filter

Plastic mesh air filters remove dirt or dust from the air, and keep the condenser from getting clogged. If the filters get clogged, the icemaker's performance will be reduced. Remove and clean the air filters at least twice per month:

- 1) Tilt the louver forward, and remove the air filter.
- 2) Clean the air filter by using a vacuum cleaner. When severely clogged, use warm water and a neutral cleaner to wash the air filter.
- 3) Rinse and dry the air filter thoroughly, and place it in position.

[5] Icemaking Water System

To keep the icemaker hygienic, periodic cleaning of the icemaking water system is recommended. Always ask a trained service person to clean the water system.

Note: 1. The washing switch on the control box is intended for use by service personnel only.

2. During normal icemaking operation, keep the washing switch in the "ICE" position.

2. BEFORE CALLING A SERVICE AGENT

WARNING

Do not damage the refrigerant circuit.

If the icemaker does not work properly or does not work at all, before calling for service, check that:

- * The power is supplied to the unit.
- * The control switch is in the "ICE" position.
- * The water is turned on.
- * The air filter is clean.

For further assistance or advice, contact your local Hoshizaki service agent.

3. WARRANTY

Hoshizaki warrants to the original owner/user that all Hoshizaki branded products shall be free of defects in material and/or workmanship for the duration of the "warranty period". The warranty shall be effective for three years from the date of installation. Hoshizaki's liability under the terms of the warranty are limited and shall exclude routine servicing, cleaning, essential maintenance and/or repairs occasioned by misuse and installations not in accordance with Hoshizaki guidelines.

Warranty repairs should be completed by an approved Hoshizaki dealer or service agency using genuine Hoshizaki components.


To obtain full details of your warranty and approved service agency, please contact your dealer/supplier, or the nearest Hoshizaki Service

office:

Aços Macom Indústria e Comércio Ltda.
Av. Jaraguá, 77, Cumbica, Guarulhos - SP CEP 07221-050 Brasil
TEL: 55 11 2085-7000
FAX: 55 11 2085-7000
suporte.tecnico@acosmacom.com.br

IV. DISPOSAL

Comply with local regulations regarding disposal of this appliance and its refrigerant gas. Before you scrap the appliance, take off the door to prevent children trapped.

	<p style="text-align: center;">WARNING</p> <p>The insulation foaming agent used for the unit body contains flammable gas cyclopentane. With this in mind, dispose of the product properly.</p>
---	---

INFORMAÇÕES IMPORTANTES DE SEGURANÇA

Por todo esse manual, avisos chamam a sua atenção para situações que podem resultar em morte, lesão grave ou danos à unidade.

ATENÇÃO	Indica uma situação perigosa que, se não for evitada, pode resultar em morte ou em lesão grave.
CUIDADO	Indica uma situação perigosa que, se não for evitada, pode resultar em lesão leve ou moderada.
AVISO	Indica uma situação perigosa que, se não for evitada, pode resultar em danos à unidade.
HIGIENE	Indica importantes precauções para higiene e segurança alimentar.
IMPORTANTE	Indica importantes informações sobre o uso e cuidados com a unidade.

IMPORTANTE

Este folheto faz parte integral e essencial do produto, e deverá ser guardado e conservado pelo usuário.

Leia cuidadosamente as orientações e avisos contidos neste documento, pois eles servem para fornecer ao instalador ou usuário informações essenciais para a instalação correta e o uso e a manutenção contínuos seguros do produto.

Esse folheto deve ser guardado para consulta futura que for necessária.

ATENÇÃO

Esta é uma máquina de gelo comercial e só deverá ser usada para o fim ao qual ela foi expressamente projetada.

Outro uso qualquer deverá ser considerado inadequado e, portanto, perigoso. O fabricante não deverá ser responsabilizado por nenhuma avaria causada por uso inadequado, incorreto ou irracional.

A instalação e mudança de local, se forem necessárias, devem ser realizadas por pessoal capacitado, de acordo com os regulamentos correntes e as instruções do fabricante.

Manter as aberturas para ventilação no invólucro do equipamento ou na estrutura interna livres de obstruções.

O uso de qualquer equipamento elétrico envolve a observância de algumas regras fundamentais. Em particular:

- *Ocorrências de umidade elevada aumentam o risco de curtos circuitos elétricos e choques elétricos potenciais. Em caso de dúvida, desligar a máquina de gelo.
- *Não danificar o cabo de força nem puxar o mesmo para desligar a máquina de gelo da rede de alimentação elétrica.
- *Se o cabo de alimentação for danificado, ele deve ser substituído por um cabo sobressalente fornecido pelas Centrais de Peças ou de Serviço da Hoshizaki.
- *Não tocar em peças elétricas nem operar interruptores com as mãos molhadas.
- *Esse equipamento não deve ser usado por pessoas (inclusive crianças) com capacidade física, sensorial ou mental reduzida, ou com falta de experiência e conhecimento, mas ele pode ser usado por crianças com idades de 8 anos em diante, e pessoas com capacidade física, sensorial ou mental reduzida, ou com falta de experiência e conhecimento, desde que elas tenham recebido supervisão ou instruções relativas ao uso do equipamento por uma pessoa responsável pela segurança das mesmas.
- *As crianças não devem brincar com o equipamento.
- *Limpeza e manutenção não devem ser feitas por crianças sem supervisão.
- *Do not attempt to modify the icemaker. Only qualified personnel may disassemble or repair the appliance.

I. INSTRUÇÕES DE INSTALAÇÃO

1. DESEMBALAGEM

ATENÇÃO

Não se deve permitir que crianças fiquem no alcance dos elementos da embalagem (sacos plásticos e poliestireno expandido), pois eles são fontes potenciais de perigo.

CUIDADO

Remover papelões, fita(s) e embalagens de embarque. Se o material de embalagem for deixado na máquina de gelo, ela não irá funcionar corretamente.

- 1) Após remover a embalagem, certificar-se de que a máquina de gelo está em bom estado. Em caso de dúvida, não utilizar o equipamento e recorrer a pessoal profissionalmente qualificado.
- 2) Remover a fita de embarque que segura a porta e o separador.
- 3) Remover a película plástica protetora do lado externo. Se a máquina de gelo for exposta ao sol ou ao calor, remova a película após ela esfriar.
- 4) Remover a embalagem dos acessórios, e verificar o conteúdo:

a) Mangueira de Saída	1
b) Pá	1
c) Adaptador de Mangueira	1
d) Duto	1
e) Parafuso	3
f) Perna	4
g) Cabo de Alimentação de Força	1
- 5) Prender o duto ao painel traseiro, usando os três parafusos fornecidos. Ver Fig. 1.

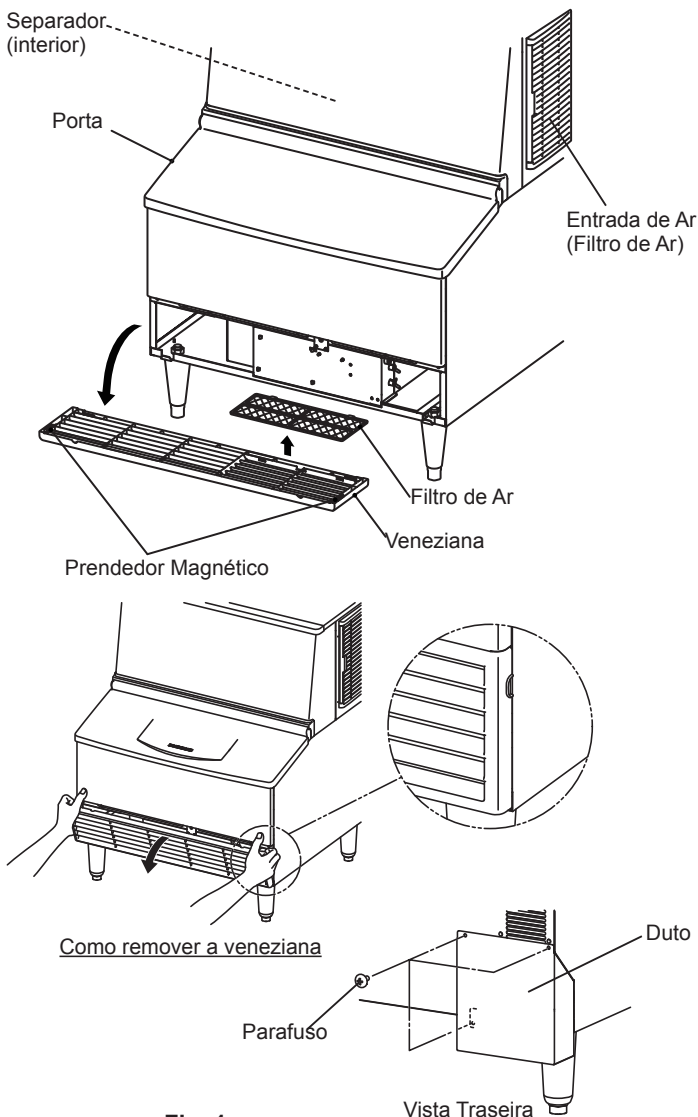


Fig. 1

2. LOCATION

IMPORTANTE

1. Essa máquina de gelo não é destinada ao uso externo. A temperatura ambiente normal de operação deverá estar entre 7°C e 43°C. A temperatura normal da água de operação deverá estar entre 7°C e 35°C. A operação da máquina de gelo por períodos prolongados, fora dessas faixas normais de temperatura pode afetar a capacidade de produção.
2. A máquina de gelo não deverá ficar localizada próxima a fornos, grelhas ou outros equipamentos produtores de muito calor.
3. A localização deverá fornecer uma fundação firme e nivelada para o equipamento.
4. Permitir pelo menos 5 cm de folga no lado direito para a circulação correta do ar, e pelo menos 15 mm de folga no topo, para facilitar a manutenção e/ou o serviço caso eles sejam necessários.
5. Esse equipamento não é adequado para instalação em uma área onde um jato de água possa ser usado e onde o gotejamento não for permitido.
6. Não colocar nada em cima, na frente e no lado direito da máquina de gelo. Especialmente, não bloquear a entrada de ar no lado direito.
7. Essa máquina de gelo não funcionará em temperaturas de sub-congelamento. Para evitar danos à linha de abastecimento de água, deve-se drenar a máquina de gelo quando a temperatura do ar estiver abaixo de zero (ver "II. 2. PREPARANDO A MÁQUINA DE GELO PARA ARMAZENAGEM LONGA").

3. INSTALAÇÃO

- * A instalação incorreta pode causar danos às pessoas, aos animais ou às coisas, pelos quais o fabricante não pode ser responsabilizado.
- * Colocar a máquina de gelo no local permanente escolhido.
- * O equipamento deve ser posicionado de modo que o plugue fique acessível.

4. CONEXÕES ELÉTRICAS

ATENÇÃO

ESSE EQUIPAMENTO DEVE SER ATERRADO

A máquina de gelo exige um fio terra que atenda aos requisitos nacionais e locais do código elétrico. Para evitar possíveis choques elétricos graves aos indivíduos ou danos extensos aos equipamentos, deve-se instalar um fio terra adequado na máquina de gelo. Remover o plugue da tomada antes de qualquer manutenção, reparo ou limpeza for realizada.

- * Esse equipamento requer um suprimento separado de 220 - 240VAC, 10A. O suprimento elétrico deve ser protegido por um disjuntor adequado.
- * O fusível da caixa de controle principal tem o valor nominal de 5A, 250V e só deverá ser substituído por um engenheiro de serviço qualificado.
- * Geralmente, um alvará elétrico e os serviços de um eletricitista autorizado são necessários.

5. CONEXÕES DE SUPRIMENTO DE ÁGUA E DRENAGEM

ATENÇÃO

Somente conectar ao suprimento de água potável.

- * As conexões com o suprimento de água geral devem ser feitas de acordo com os atuais requisitos dos Regulamentos de Suprimento ou de Conexões de Água de cada país.
- * A água para fabricação de gelo deve ser água potável. Quando houver possibilidade de oxidação causada pela qualidade da água, a instalação de um filtro externo ou amaciante é recomendada. Procurar o profissional local de tratamento de água ou o agente de serviço da Hoshizaki.
- * A pressão de suprimento da água deverá ser no mínimo de 0.07 MPa (0.7 bar) e no máximo de 0.8 MPa (8 bar). Se a pressão ultrapassar 0.8 MPa (8 bar), usar uma válvula redutora de pressão. **NÃO** estrangular de volta a torneira de suprimento.
- * Certifique-se de usar os novos conjuntos de mangueira fornecidos com o equipamento. Não reutilizar nenhum jogo de mangueira antigo.
- * Uma permissão de encanamento e os serviços de um encanador autorizado podem ser necessários em algumas áreas.
- * A água deverá ser drenada para um coletor aberto.
- * O dreno da máquina de gelo é feito pelo fluxo da gravidade, então certifique-se de que o tubo de dreno tem um desnível ou queda adequado.
- * Para evitar um contrafluxo para dentro do compartimento de armazenagem, a mangueira de saída deve ser assentada como se vê na Fig. 2.

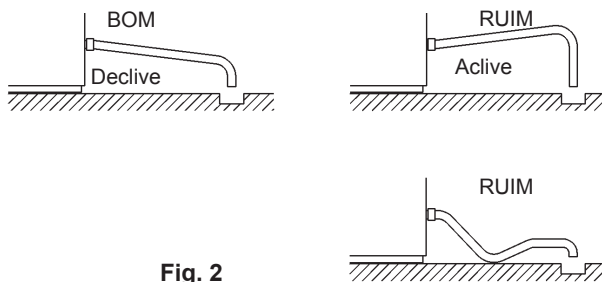


Fig. 2

- 1) Prender a extremidade livre da mangueira de admissão à válvula de bloqueio (Fig. 4), observando se a arruela está corretamente posicionada. Apertar suficientemente à mão para produzir uma junta sem vazamentos. É um cuidado sábio ter a válvula de bloqueio à sua volta.
- 2) Enrolar fita de Teflon em torno da conexão do adaptador de mangueira, e enroscar o mesmo na saída de dreno da máquina de gelo. Apertar à mão a mangueira de saída flexível cinza (acessório) no adaptador de mangueira, como se vê na (Fig. 3). O tubo pode ser cortado no tamanho certo conforme a necessidade, para atender à posição do dreno principal. Para evitar vazamentos de água, prender a mangueira de saída à saída do dreno usando uma abraçadeira.

Observação: Os componentes de união devem ser aprovados adequados para uso em água potável.

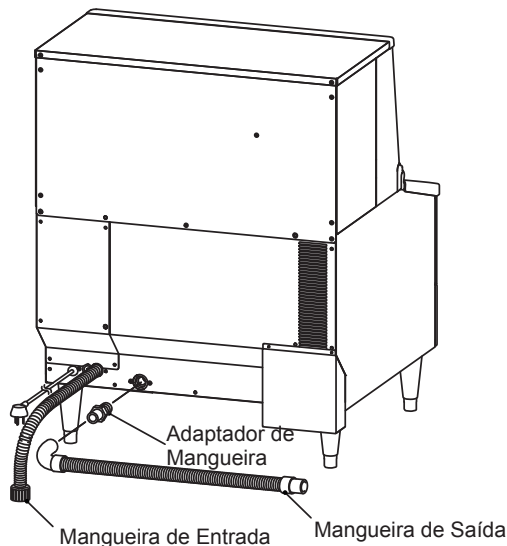


Fig. 3

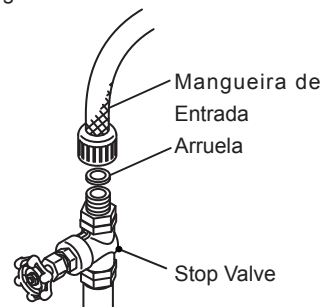


Fig. 4

II. INSTRUÇÕES DE OPERAÇÃO

ATENÇÃO

1. A máquina de gelo é projetada para produzir e armazenar gelo comestível. Para manter a máquina de gelo higienizada:
 - * Lavar as mãos antes de remover o gelo. Usar a pá plástica disponível (acessório).
 - * O compartimento de armazenagem só deve ser usado para gelo. Não armazenar nada mais no compartimento.
 - * Limpar o compartimento de armazenagem antes de usar (ver "III. 1. LIMPEZA").
 - * Manter a pá limpa. Limpar usando um limpador neutro e enxaguar cuidadosamente.
 - * Fechar a porta após remover o gelo, para evitar a entrada de sujeira, poeira ou insetos no compartimento de armazenagem.
2. Todas as peças são ajustadas na fábrica. Ajustes incorretos podem resultar em pane da máquina.
3. Se a unidade for desligada, esperar pelo menos 3 minutos antes de religar a máquina de gelo, para evitar danificar o compressor.

1. OPERAÇÃO

Normalmente, o instalador comissiona a máquina de gelo para iniciar o processo de fabricação automática de gelo. Para garantir a operação contínua, certifique-se de que:

- * A torneira de abastecimento de água está aberta,
- * A máquina de gelo está conectada na fonte de alimentação e
- * A chave de controle está na posição "ICE" (remover a veneziana para verificar).

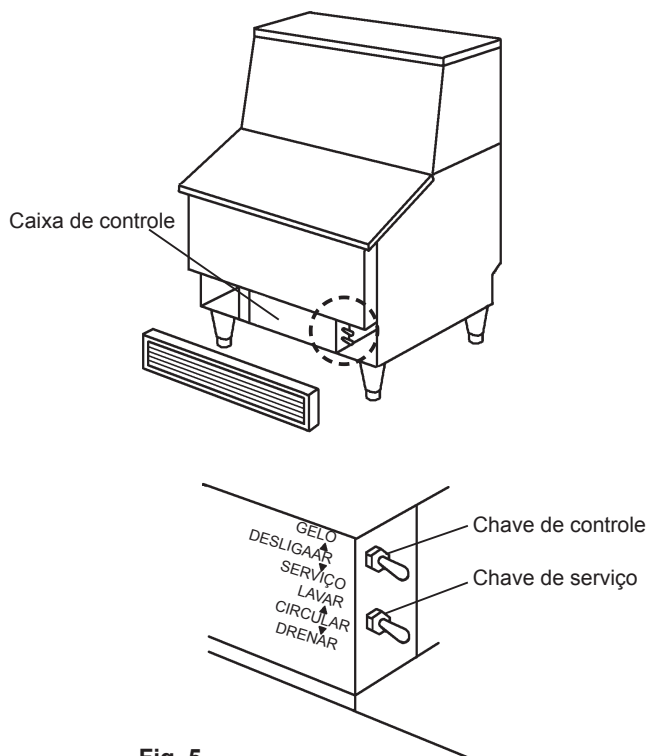


Fig. 5

2. PREPARANDO A MÁQUINA DE GELO PARA ARMAZENAGEM LONGA

IMPORTANTE

Ao desligar a máquina de gelo por um tempo prolongado, drenar toda a água das tubulações e remover o gelo do compartimento de armazenagem. O compartimento de armazenagem deverá ser limpo e seco. Drenar a máquina de gelo usando ar ou dióxido de carbono para evitar danos às linhas de suprimento de água nas temperaturas de sub-congelamento. Desligar a máquina de gelo até a temperatura ambiente adequada ser retomada.

Quando a máquina de gelo não for usada por dois ou três dias, basta apenas passar a chave de controle para a posição "OFF", a menos que a máquina venha a ficar em temperaturas de sub-congelamento.

[1] Remover a água da linha de abastecimento de água potável:

- 1) Remover a veneziana se ela ainda não tiver sido removida.
- 2) Passar a chave de controle da caixa de controle para a posição "OFF". Ver Fig. 5.
- 3) Esperar 3 minutos.
- 4) Fechar a válvula de bloqueio da linha de suprimento de água potável. Ver Fig. 4.
- 5) Remover a mangueira de entrada.

[2] Drenar o tanque de água potável:

- 1) Passar a chave de controle para a posição "SERVICE" e a chave de serviço para a posição "DRAIN".
- 2) Após 2 minutos, passar a chave de controle para a posição "OFF".
- 3) Open the door. Remove all ice from the storage bin and clean the 3) Abrir a porta. Remover todo o gelo do compartimento de armazenagem e limpar o compartimento.
- 4) Fechar a porta.
- 5) Repor a veneziana em sua posição correta.

- 6) Desligar a fonte de alimentação na caixa do disjuntor.

III. MANUTENÇÃO

1. LIMPEZA

ATENÇÃO

1. Antes de realizar alguma operação de limpeza ou manutenção, desligar a máquina de gelo da rede elétrica.
2. Pedir a uma pessoa de serviço treinada para examinar e limpar o condensador pelo menos uma vez ao ano.
3. Esse equipamento não deve ser limpo usando-se um jato de água.
4. Não usar álcool para limpeza/higienização da máquina de gelo. Isso pode causar trincas nas peças de plástico.
5. Para evitar possíveis danos, não limpar as peças de plástico com água acima de 40°C ou em uma máquina de lavar pratos.

[1] Lado externo

Limpar o lado externo pelo menos uma vez por semana com um pano macio e limpo. Usar um pano úmido contendo um limpador neutro para remover graxa ou sujeira.

[2] Limpeza/Higienização da Pá e do punho da Porta do Compartimento (Diariamente).

- 1) 3 litros no máximo de água com 11 ml de solução de hipoclorito de sódio a 5.25% em um recipiente adequado, ou o higienizador recomendado pela Hoshizaki conforme a orientação.
- 2) Mergulhar a pá na solução por mais de 3 minutos. Enxaguar cuidadosamente e agitar para remover o excesso de líquido.

Observação: Usar um pano para a secagem poderá contaminar novamente.
- 3) Usar um limpador neutro para lavar o punho da porta do compartimento. Enxaguar cuidadosamente.
- 4) Encharcar um pano limpo com a solução de higienização, e limpar o punho. Usar água doce e um pano limpo para enxaguar/secar.

[3] Limpeza/Higienização do Interior do Compartimento de Armazenagem (Semanalmente)

- 1) Abrir a porta do compartimento de armazenagem e remover todo o gelo.
- 2) Lavar o forro do compartimento com limpador neutro não abrasivo. Enxaguar cuidadosamente.
- 3) Encharcar um pano limpo com um limpador neutro, e limpar a superfície interna da porta. Remover o limpador com um pano limpo úmido.
- 4) 3 litros no máximo de água com 11 ml de solução de hipoclorito de sódio a 5.25% em um recipiente adequado, ou o higienizador recomendado pela Hoshizaki conforme a orientação.
- 5) Encharcar uma esponja limpa ou pano com a solução, e esfregar o forro e a porta do compartimento.
- 6) Enxaguar cuidadosamente com água doce e um pano limpo para remover a solução. Fechar a porta do compartimento.

Observação: Algumas soluções podem causar danos às superfícies do forro do compartimento ou corrosão nas peças metálicas. Enxaguar sempre o higienizador, a menos que seja orientado o contrário pelas diretrizes da Hoshizaki.

[4] Filtro de Ar

Os filtros de ar com malha de plástico removem sujeira ou poeira do ar, e impedem o condensador de ficar entupido. Se os filtros ficarem entupidos, o desempenho da máquina de gelo será reduzido. Remover e limpar os filtros de ar pelo menos duas vezes ao mês:

- 1) Inclinara veneziana para a frente, e remover o filtro de ar.
- 2) Limpar o filtro de ar usando um aspirador de pó. Quando ele estiver muito entupido, usar água morna e um limpador neutro para lavar o filtro de ar.
- 3) Enxaguar e secar o filtro de ar cuidadosamente, e colocá-lo na posição.

[5] Sistema da Água de Fabricação de Gelo

Para manter a máquina de fabricar gelo limpa, recomendamos fazer a limpeza periódica do sistema da água de fabricação de gelo. Pedir sempre a uma pessoa de manutenção treinada para limpar o sistema de água.

- Observação 1. A chave de limpeza na caixa de controle serve para ser usada somente pelo pessoal de serviço.
2. Durante a operação normal de fabricação de gelo, mantenha a chave de lavagem na posição "ICE" (GELO).

2. ANTES DE CHAMAR UM TÉCNICO DE SERVIÇO

ATENÇÃO

Não danificar o circuito de refrigeração.

Se a máquina de gelo não funcionar corretamente nem funcionar de modo algum, antes de chamar o serviço, verificar se:

- * A força seja fornecida à unidade.
- * A chave de controle está na posição "ICE".
- * A água está ligada.
- * O filtro de ar está limpo.

Para obter assistência ou recomendação adicional, procure seu agente de serviço da Hoshizaki.

3. GARANTIA

A Hoshizaki garante ao proprietário/usuário original que todos os produtos da marca Hoshizaki estarão isentos de defeitos de material e/ou de mão de obra enquanto durar o "período de garantia". A garantia deve ser efetiva por 3 anos da data da instalação.

A responsabilidade da Hoshizaki, sob os termos da garantia, é limitada e exclui manutenção de rotina, limpeza, manutenção essencial e/ou reparos ocasionados por mau uso e as instalações que não estiverem de acordo com as orientações da Hoshizaki.

Reparos de garantia serão concluídos pelo revendedor aprovado pela Hoshizaki ou agência de serviço usando componentes Hoshizaki genuínos.

Para obter detalhes completos de sua garantia e do órgão de serviço aprovado, procure seu revendedor/fornecedor, ou o escritório de Serviço da Hoshizaki mais próximo:

Aços Macom Indústria e Comércio Ltda. - São Paulo
Av. Jaraguá, 77, Cumbica, Guarulhos - SP CEP 07221-050 Brasil
TEL: 55 11 2085-7000
FAX: 55 11 2085-7000
suporte.tecnico@acosmacom.com.br
www.acosmacom.com/serviços

IV. DESCARTE

Cumprir todos os regulamentos locais relativos ao descarte desse equipamento e do gás refrigerante do mesmo. Antes de descartar o equipamento, retirar a porta para evitar que crianças fiquem presas.

