

OPERATOR'S MANUAL

Riding Mower

Table of Contents

<i>Important Safe Operation Practices</i>	2	<i>Product Care</i>	14
<i>Assembly & Set-Up</i>	7	<i>Parts/Warranty</i>	<i>See Separate Supplement</i>
<i>Controls & Operation</i>	10		

WARNING

**READ AND FOLLOW ALL SAFETY RULES AND INSTRUCTIONS IN THIS MANUAL
BEFORE ATTEMPTING TO OPERATE THIS MACHINE.
FAILURE TO COMPLY WITH THESE INSTRUCTIONS MAY RESULT IN PERSONAL INJURY.**

NOTE: This Operator's Manual covers several models. Features may vary by model. Not all features in this manual are applicable to all models and the model depicted may differ from yours.



⚠ WARNING

⚠ This symbol points out important safety instructions which, if not followed, could endanger the personal safety and/or property of yourself and others. Read and follow all instructions in this manual before attempting to operate this machine. Failure to comply with these instructions may result in personal injury. When you see this symbol. **HEED ITS WARNING!**

⚠ WARNING

California Proposition 65

Engine Exhaust, some of its constituents, and certain vehicle components contain or emit chemicals known to State of California to cause cancer and birth defects or other reproductive harm. Battery posts, terminals, and related accessories contain lead and lead compounds, chemicals known to the State of California to cause cancer and reproductive harm. Wash hands after handling.

⚠ DANGER

This machine was built to be operated according to the safe operation practices in this manual. As with any type of power equipment, carelessness or error on the part of the operator can result in serious injury. This machine is capable of amputating hands and feet and throwing objects. Failure to observe the following safety instructions could result in serious injury or death.

General Operation

- | | | |
|---|---|---|
| <ol style="list-style-type: none"> 1. Read, understand, and follow all instructions on the machine and in the manual(s) before attempting to assemble and operate. Keep this manual in a safe place for future and regular reference and for ordering replacement parts. 2. Be familiar with all controls and their proper operation. Know how to stop the machine and disengage them quickly. 3. Never allow children under 14 years of age to operate this machine. Children 14 and over should read and understand the instructions and safe operation practices in this manual and on the machine and should be trained and supervised by an adult. 4. Never allow adults to operate this machine without proper instruction. 5. To help avoid blade contact or a thrown object injury, keep bystanders, helpers, children and pets at least 75 feet from the machine while it is in operation. Stop machine if anyone enters the area. 6. Thoroughly inspect the area where the equipment is to be used. Remove all stones, sticks, wire, bones, toys, and other foreign objects which could be picked up and thrown by the blade(s). Thrown objects can cause serious personal injury. 7. Plan your mowing pattern to avoid discharge of material toward roads, sidewalks, bystanders and the like. Also, avoid discharging material against a wall or obstruction which may cause discharged material to ricochet back toward the operator. 8. Always wear safety glasses or safety goggles during operation and while performing an adjustment or repair to protect your eyes. Thrown objects which ricochet can cause serious injury to the eyes. 9. Wear sturdy, rough-soled work shoes and close-fitting slacks and shirts. Loose fitting clothes and jewelry can be caught in movable parts. Never operate this machine in bare feet or sandals. | <ol style="list-style-type: none"> 10. Be aware of the mower and attachment discharge direction and do not point it at anyone. Do not operate the mower without the discharge cover or entire grass catcher in its proper place. 11. Do not put hands or feet near rotating parts or under the cutting deck. Contact with the blade(s) can amputate hands and feet. 12. A missing or damaged discharge cover can cause blade contact or thrown object injuries. 13. Stop the blade(s) when crossing gravel drives, walks, or roads and while not cutting grass. 14. Watch for traffic when operating near or crossing roadways. This machine is not intended for use on any public roadway. 15. Do not operate the machine while under the influence of alcohol or drugs. 16. Mow only in daylight or good artificial light. 17. Never carry passengers. 18. Disengage blade(s) before shifting into reverse. Back up slowly. Always look down and behind before and while backing to avoid a back-over accident. 19. Slow down before turning. Operate the machine smoothly. Avoid erratic operation and excessive speed. 20. Disengage blade(s), set parking brake, stop engine and wait until the blade(s) come to a complete stop before removing grass catcher, emptying grass, unclogging chute, removing any grass or debris, or making any adjustments. 21. Never leave a running machine unattended. Always turn off blade(s), place transmission in neutral, set parking brake, stop engine and remove key before dismounting. 22. Use extra care when loading or unloading the machine into a trailer or truck. This machine should not be driven up or down ramp(s), because the machine could tip over, causing serious personal injury. The machine must be pushed manually on ramp(s) to load or unload properly. | <ol style="list-style-type: none"> 23. Muffler and engine become hot and can cause a burn. Do not touch. 24. Check overhead clearances carefully before driving under low hanging tree branches, wires, door openings etc., where the operator may be struck or pulled from the machine, which could result in serious injury. 25. Disengage all attachment clutches, depress the brake pedal completely and shift into neutral before attempting to start engine. 26. Your machine is designed to cut normal residential grass of a height no more than 10". Do not attempt to mow through unusually tall, dry grass (e.g., pasture) or piles of dry leaves. Dry grass or leaves may contact the engine exhaust and/or build up on the mower deck presenting a potential fire hazard. 27. Use only accessories and attachments approved for this machine by the machine manufacturer. Read, understand and follow all instructions provided with the approved accessory or attachment. 28. Data indicates that operators, age 60 years and above, are involved in a large percentage of riding mower-related injuries. These operators should evaluate their ability to operate the riding mower safely enough to protect themselves and others from serious injury. 29. If situations occur which are not covered in this manual, use care and good judgment. Contact your customer service representative for assistance. |
|---|---|---|

Slope Operation

Slopes are a major factor related to loss of control and tip-over accidents which can result in severe injury or death. All slopes require extra caution. If you cannot back up the slope or if you feel uneasy on it, do not mow it.

For your safety, use the slope gauge included as part of this manual to measure slopes before operating this machine on a sloped or hilly area. If the slope is greater than 12 degrees as shown on the slope gauge, do not operate this machine on that area or serious injury could result.

Do:

1. Mow up and down slopes, not across. Exercise extreme caution when changing direction on slopes.
2. Watch for holes, ruts, bumps, rocks, or other hidden objects. Uneven terrain could overturn the machine. Tall grass can hide obstacles.
3. Use slow speed. Choose a low enough speed setting so that you will not have to stop or shift while on the slope. Tires may lose traction on slopes even though the brakes are functioning properly. Always keep machine in gear when going down slopes to take advantage of engine braking action.
4. Follow the manufacturer's recommendations for wheel weights or counterweights to improve stability.
5. Use extra care with grass catchers or other attachments. These can change the stability of the machine.
6. Keep all movement on the slopes slow and gradual. Do not make sudden changes in speed or direction. Rapid engagement or braking could cause the front of the machine to lift and rapidly flip over backwards which could cause serious injury.
7. Avoid starting or stopping on a slope. If tires lose traction, disengage the blade(s) and proceed slowly straight down the slope.

Do Not:

1. Do not turn on slopes unless necessary; then, turn slowly and gradually downhill, if possible.
2. Do not mow near drop-offs, ditches or embankments. The mower could suddenly turn over if a wheel is over the edge of a cliff, ditch, or if an edge caves in.
3. Do not try to stabilize the machine by putting your foot on the ground.
4. Do not use a grass catcher on steep slopes.
5. Do not mow on wet grass. Reduced traction could cause sliding.
6. Do not shift to neutral and coast downhill. Over-speeding may cause the operator to lose control of the machine resulting in serious injury or death.
7. Do not tow heavy pull behind attachments (e.g. loaded dump cart, lawn roller, etc.) on slopes greater than 5 degrees. When going down hill, the extra weight tends to push the tractor and may cause you to lose control (e.g. tractor may speed up, braking and steering ability are reduced, attachment may jack-knife and cause tractor to overturn).

Children

1. Tragic accidents can occur if the operator is not alert to the presence of children. Children are often attracted to the machine and the mowing activity. They do not understand the dangers. Never assume that children will remain where you last saw them.
 - a. Keep children out of the mowing area and in watchful care of a responsible adult other than the operator.

- b. Be alert and turn machine off if a child enters the area.
 - c. Before and while backing, look behind and down for small children.
 - d. Never carry children, even with the blade(s) shut off. They may fall off and be seriously injured or interfere with safe machine operation.
 - e. Use extreme care when approaching blind corners, doorways, shrubs, trees or other objects that may block your vision of a child who may run into the path of the machine.
 - f. To avoid back-over accidents, always disengage the cutting blade(s) before shifting into Reverse. If equipped, the "Reverse Caution Mode" should not be used when children or others are around.
 - g. Keep children away from hot or running engines. They can suffer burns from a hot muffler.
 - h. Remove key when machine is unattended to prevent unauthorized operation.
2. Never allow children under 14 years of age to operate this machine. Children 14 and over should read and understand the instructions and safe operation practices in this manual and on the machine and should be trained and supervised by an adult.

Towing

1. Tow only with a machine that has a hitch designed for towing. Do not attach towed equipment except at the hitch point.
2. Follow the manufacturer's recommendation for weight limits for towed equipment and towing on slopes.
3. Never allow children or others in or on towed equipment.
4. On slopes, the weight of the towed equipment may cause loss of traction and loss of control.
5. Always use extra caution when towing with a machine capable of making tight turns (e.g. "zero-turn" ride-on mower). Make wide turns to avoid jack-knifing.
6. Travel slowly and allow extra distance to stop.
7. Do not shift to neutral and coast downhill.

Service

Safe Handling of Gasoline:

1. To avoid personal injury or property damage use extreme care in handling gasoline. **Gasoline is extremely flammable and the vapors are explosive.** Serious personal injury can occur when gasoline is spilled on yourself or your clothes which can ignite. Wash your skin and change clothes immediately.
 - a. Use only an approved gasoline container.

- b. Never fill containers inside a vehicle or on a truck or trailer bed with a plastic liner. Always place containers on the ground away from your vehicle before filling.
- c. When practical, remove gas-powered equipment from the truck or trailer and refuel it on the ground. If this is not possible, then refuel such equipment on a trailer with a portable container, rather than from a gasoline dispenser nozzle.
- d. Keep the nozzle in contact with the rim of the fuel tank or container opening at all times until fueling is complete. Do not use a nozzle lock-open device.
- e. Extinguish all cigarettes, cigars, pipes and other sources of ignition.
- f. Never fuel machine indoors.
- g. Never remove gas cap or add fuel while the engine is hot or running. Allow engine to cool at least two minutes before refueling.
- h. Never over fill fuel tank. Fill tank to no more than ½ inch below bottom of filler neck to allow space for fuel expansion.
- i. Replace gasoline cap and tighten securely.
- j. If gasoline is spilled, wipe it off the engine and equipment. Move machine to another area. Wait 5 minutes before starting the engine.
- k. To reduce fire hazards, keep machine free of grass, leaves, or other debris build-up. Clean up oil or fuel spillage and remove any fuel soaked debris.
- l. Never store the machine or fuel container inside where there is an open flame, spark or pilot light as on a water heater, space heater, furnace, clothes dryer or other gas appliances.
- m. Allow a machine to cool at least five minutes before storing.

General Service

1. Never run an engine indoors or in a poorly ventilated area. Engine exhaust contains carbon monoxide, an odorless, and deadly gas.
2. Before cleaning, repairing, or inspecting, make certain the blade(s) and all moving parts have stopped. Disconnect the spark plug wire and ground against the engine to prevent unintended starting.
3. Periodically check to make sure the blades come to complete stop within approximately (5) five seconds after operating the blade disengagement control. If the blades do not stop within the this time frame, your machine should be serviced professionally by an authorized MTD Service Dealer.
4. Check brake operation frequently as it is subjected to wear during normal operation. Adjust and service as required.

5. Check the blade(s) and engine mounting bolts at frequent intervals for proper tightness. Also, visually inspect blade(s) for damage (e.g., excessive wear, bent, cracked). Replace the blade(s) with the original equipment manufacturer's (O.E.M.) blade(s) only, listed in this manual. "Use of parts which do not meet the original equipment specifications may lead to improper performance and compromise safety!"
6. Mower blades are sharp. Wrap the blade or wear gloves, and use extra caution when servicing them.
7. Keep all nuts, bolts, and screws tight to be sure the equipment is in safe working condition.
8. Never tamper with the safety interlock system or other safety devices. Check their proper operation regularly.
9. After striking a foreign object, stop the engine, disconnect the spark plug wire(s) and ground against the engine. Thoroughly inspect the machine for any damage. Repair the damage before starting and operating.
10. Never attempt to make adjustments or repairs to the machine while the engine is running.
11. Grass catcher components and the discharge cover are subject to wear and damage which could expose moving parts or allow objects to be thrown. For safety protection, frequently check components and replace immediately with original equipment manufacturer's (O.E.M.) parts only, listed in this manual. "Use of parts which do not meet the original equipment specifications may lead to improper performance and compromise safety!"
12. Do not change the engine governor settings or over-speed the engine. The governor controls the maximum safe operating speed of the engine.
13. Maintain or replace safety and instruction labels, as necessary.
14. Observe proper disposal laws and regulations for gas, oil, etc. to protect the environment.
15. According to the Consumer Products Safety Commission (CPSC) and the U.S. Environmental Protection Agency (EPA), this product has an *Average Useful Life* of seven (7) years, or 270 hours of operation. At the end of the *Average Useful Life* have the machine inspected annually by an authorized service dealer to ensure that all mechanical and safety systems are working properly and not worn excessively. Failure to do so can result in accidents, injuries or death.

Do not modify engine

To avoid serious injury or death, do not modify engine in any way. Tampering with the governor setting can lead to a runaway engine and cause it to operate at unsafe speeds. Never tamper with factory setting of engine governor.

Notice Regarding Emissions

Engines which are certified to comply with California and federal EPA emission regulations for SORE (Small Off Road Equipment) are certified to operate on regular unleaded gasoline, and may include the following emission control systems: Engine Modification (EM), Oxidizing Catalyst (OC), Secondary Air Injection (SAI) and Three Way Catalyst (TWC) if so equipped.

When required, models are equipped with low permeation fuel lines and fuel tanks for evaporative emission control. California models may also include a carbon canister. Please contact Customer Support for information regarding the evaporative emission control configuration for your model.

Spark Arrestor






▲ WARNING















This machine is equipped with an internal combustion engine and should not be used on or near any unimproved forest-covered, brush-covered or grass-covered land unless the engine's exhaust system is equipped with a spark arrestor meeting applicable local or state laws (if any).

If a spark arrestor is used, it should be maintained in effective working order by the operator. In the State of California the above is required by law (Section 4442 of the California Public Resources Code). Other states may have similar laws. Federal laws apply on federal lands. A spark arrestor for the muffler is available through your nearest engine authorized service dealer or contact the service department, P.O. Box 361131 Cleveland, Ohio 44136-0019.

Safety Symbols

This page depicts and describes safety symbols that may appear on this product. Read, understand, and follow all instructions on the machine before attempting to assemble and operate.

Symbol	Description
	READ THE OPERATOR'S MANUAL(S) Read, understand, and follow all instructions in the manual(s) before attempting to assemble and operate.
	DANGER— ROTATING BLADES Never carry passengers. Never carry children, even with the blades OFF.
	DANGER— ROTATING BLADES To avoid a back-over accident, keep children away from the machine while it is in operation. Mowing in reverse is not recommended.
	WARNING— ROTATING BLADES Do not put hands or feet near rotating parts or under the cutting deck. Contact with the blade(s) can amputate hands and feet. Be sure blades and engine are stopped before placing hands or feet near blades.
	DANGER— ROTATING BLADES Always look down and behind before and while backing to avoid a back-over accident.

Symbol	Description
	DANGER— BYSTANDERS Keep bystanders, helpers, children and pets at least 75 feet from the machine while it is in operation.
	WARNING— THROWN OBJECTS This machine may pick up and throw and objects which can cause serious personal injury.
	WARNING— THROWN OBJECTS This machine may pick up and throw and objects which can cause serious personal injury.
	WARNING— SLOPE OPERATION Go up and down slopes, not across.
	WARNING— SLOPE OPERATION Use extra caution on slopes. Do not mow slopes greater than 12°. If machine stops going uphill, stop blades back down slowly.
	DANGER— SLOPE OPERATION Do not operate this machine where it could tip or slip. Avoid sudden turns. Use low speed.
	DANGER— GUARDS, SHIELDS, SWITCHES, ETC. Keep safety devices (Guards, Shields, Switches, Etc.) in place and working.
	WARNING— MACHINE IS HOT Allow the engine to cool at least two minutes before refueling or storing.
	WARNING— THIS EQUIPMENT MAY CREATE SPARKS Operation of this equipment may create sparks that can start fires around dry vegetation. Do not drive through piles of dry leaves or tall dry grass (Max. 10"). Keep the machine free of debris.
	WARNING— HOT SURFACE Engine parts, especially the muffler, become extremely hot during operation. Allow engine and muffler to cool before touching.
	DANGER — ROTATING BLADES To reduce the risk of injury, keep hands and feet away. Do not operate unless discharge cover or grass catcher is in its proper place. If damaged, replace immediately.
	WARNING— THIS EQUIPMENT MAY CREATE SPARKS Operation Of This Equipment May Create Sparks That Can Start Fires Around Dry Vegetation. A Spark Arrestor May Be Required. The Operator Should Contact Local Fire Agencies For Laws Or Regulations Relating To Fire Prevention Requirements.
	WARNING— CARBON MONOXIDE Never run an engine indoors or in a poorly ventilated area. Engine exhaust contains carbon monoxide, an odorless and deadly gas.
	DANGER— ROTATING BLADES Do not step on the cutting deck.

▲ WARNING

Your Responsibility — Restrict the use of this power machine to persons who read, understand and follow the warnings and instructions in this manual and on the machine.

SAVE THESE INSTRUCTIONS!

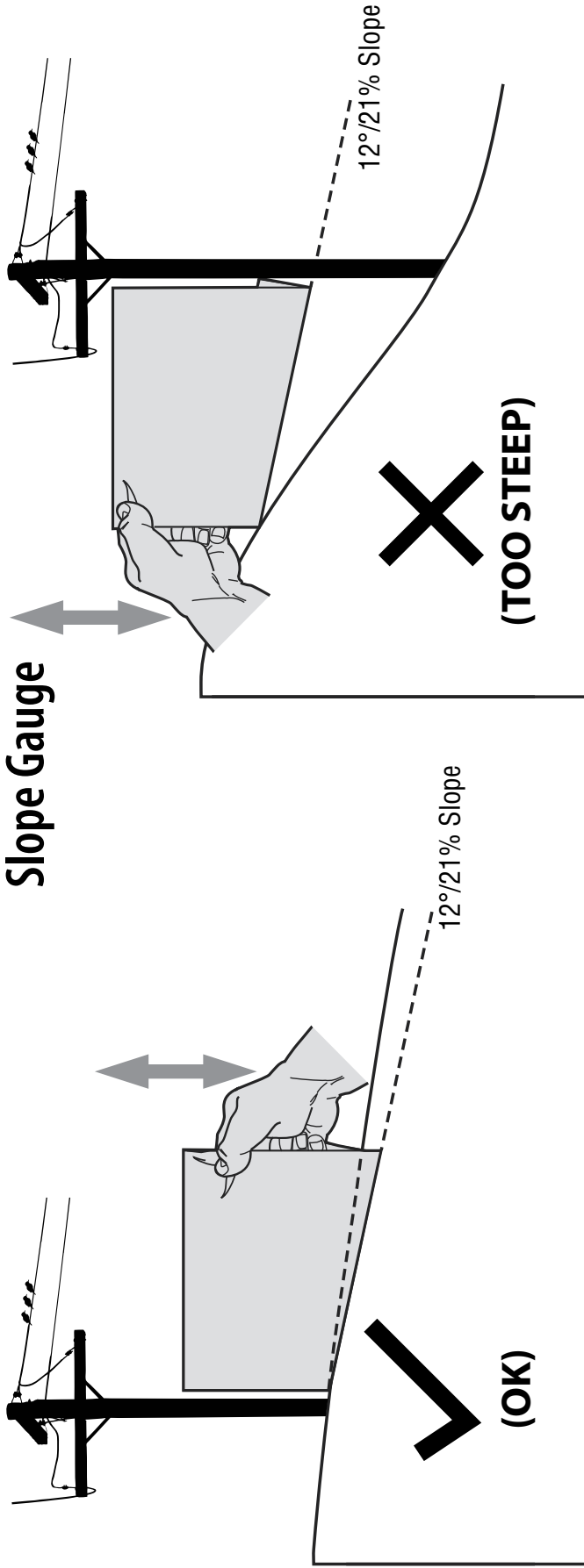
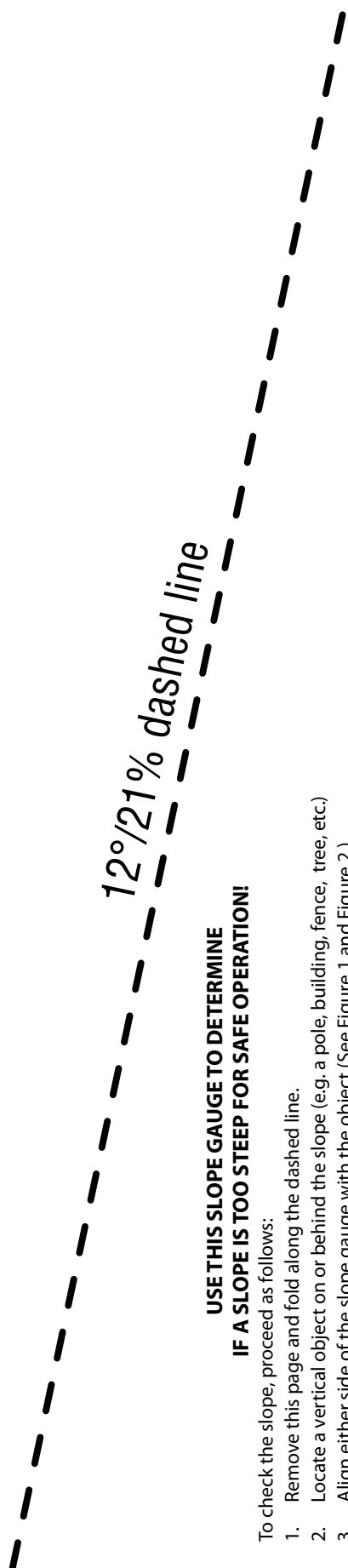


Figure 1

Figure 2



**USE THIS SLOPE GAUGE TO DETERMINE
IF A SLOPE IS TOO STEEP FOR SAFE OPERATION!**

To check the slope, proceed as follows:

1. Remove this page and fold along the dashed line.
2. Locate a vertical object on or behind the slope (e.g. a pole, building, fence, tree, etc.)
3. Align either side of the slope gauge with the object (See Figure 1 and Figure 2).
4. Adjust gauge up or down until the left corner touches the slope (See Figure 1 and Figure 2).
5. If there is a gap below the gauge, the slope is too steep for safe operation (See Figure 2 above).



WARNING! Slopes are a major factor related to tip-over and roll-over accidents which can result in severe injury or death.

Do not operate machine on slopes in excess of 15 degrees. All slopes require extra caution. If you cannot back up the slope or if you feel uneasy on it, do not mow it. Always mow up and down slopes, never across the face of slopes.

Thank you for purchasing this product. It was carefully engineered to provide excellent performance when properly operated and maintained.

Please read this entire manual prior to operating the equipment. It instructs you how to safely and easily set up, operate and maintain your machine. Please be sure that you, and any other persons who will operate the machine, carefully follow the recommended safety practices at all times. Failure to do so could result in personal injury or property damage.

All information in this manual is relative to the most recent product information available at the time. Review this manual frequently to familiarize yourself with the machine, its features and operation. Please be aware that this Operator's Manual may cover a range of product specifications for various models. Characteristics and features discussed and/or illustrated in this manual may not be applicable to all models. We reserve the right to change product specifications, designs and equipment without notice and without incurring obligation.

If applicable, the power testing information used to establish the power rating of the engine equipped on this machine can be found at www.opei.org or the engine manufacturer's web site.

If you have any problems or questions concerning the machine, phone your local authorized service dealer or contact us directly. We want to ensure your complete satisfaction at all times.

Throughout this manual, all references to *right* and *left* side of the machine are observed from the operating position.

Contents of Crate

- | | | |
|-------------------------------------|--------------------------------|---------------------------------|
| • Riding Mower (1) | • Operator's Manual (1) | • Engine Operator's Manual (1) |
| • Steering Wheel/Shaft Assembly (1) | • Rear Hitch Plate (1) | • Seat Assembly (1) |
| • Rear Engine Cover (1) † | • Oil Drain Sleeve (1) | • Oil Siphon (1) † |
| • Steering Pedestal Cap (1) | • Discharge Chute Assembly (1) | • Mulch Plug (1) † |
| • Front Bumper (1) † | • Hardware Pack (1) | • Product Registration Card (1) |

† — If Equipped

Note: This Operator's Manual covers several models. Riding mower features may vary by model. Not all features in this manual are applicable to all riding mower models and the riding mower depicted may differ from yours.

Note: All references in this manual to the left or right side and front or back of the riding mower are from the operating position only. Exceptions, if any, will be specified.

Note: Some components may come already assembled. If they are already assembled, skip ahead to the next step.

Contents of Hardware Pack

Before beginning installation, remove all the contents from the crate and all the hardware from the pack to make sure everything is present. Hardware is listed below.

- Hitch Plate
- Seat Mounting Bracket (w/ two shoulder bolts & lock nuts installed)

Recommended Tools for Assembly

- 3/8" wrench and/or socket
- 1/2" wrench and/or socket
- 7/16" wrench and/or socket
- 9/16" wrench and/or socket
- Phillips screw driver
- 1/4" drive ratchet

Manually Moving the Tractor

On 6-Speed units, shift the shift lever into NEUTRAL. On Hydro units, use the transmission bypass rod and proceed with Step 1.

1. Engage the transmission bypass rod to move the tractor manually without starting it. The transmission bypass rod is located on the inside of the right tire near the rear of the tractor. Engage the bypass rod by pulling out and down. See Figure 2-1.

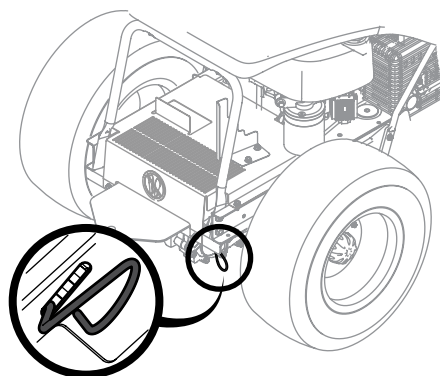


Figure 2-1

Note: If the tractor will not move or does not move freely when pushing check if the bypass lever is fully open or the brake is engaged.

Note: The transmission will NOT engage when the hydrostatic bypass rod is pulled out. Return the rod to its normal position prior to operating the tractor. If the tractor will not move when pushing on the forward/reverse pedals, or moves slowly, check to see if the bypass valve is on.

CAUTION

Never tow your tractor. Towing the tractor with the rear wheels on the ground may cause severe damage to the transmission.

2. Disengage the bypass rod by lifting up and allowing the rod to move back in after moving the tractor. See Figure 2-1.

Installing the Steering Wheel Assembly

If the steering wheel assembly for your riding mower did not come already installed, follow the steps below:

3. Slide the pedestal cap (a) onto the steering shaft (b) so that when the steering shaft (b) is installed on the riding mower, the pedestal cap (a) will be upright as shown in Figure 2-2.

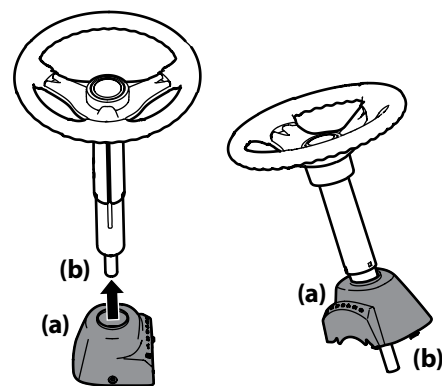


Figure 2-2

4. Remove the shoulder bolt and lock nut from the steering shaft and retain for later steps.
5. With the steering wheel assembly upright and positioned over the lower steering shaft on the riding mower, align the steering wheel so that with the riding mower wheels straight, the large opening on the steering wheel is facing forward.

- Lower the steering wheel assembly (a) onto the lower steering shaft (b) and secure with the shoulder bolt (c) and lock nut (d) previously removed. See Figure 2-3.

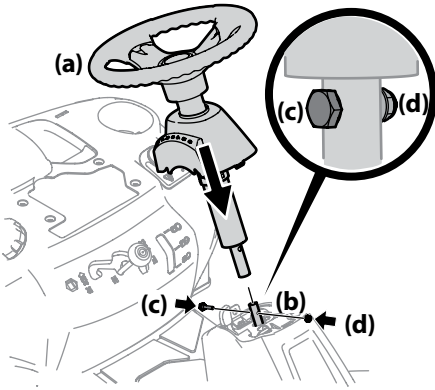


Figure 2-3

- Tighten the shoulder bolt and lock nut using a $\frac{9}{16}$ " wrench or socket and $\frac{7}{16}$ " wrench or socket.
- Remove the pedestal cap mount screw factory installed and located on the riding mower's steering console. Retain the screw for later instructions.
- Slide the pedestal cap (a) down onto the riding mower and slightly rotate to the right to clip into place. Secure the pedestal cap (a) with the screw (b) previously removed. See Figure 2-4.

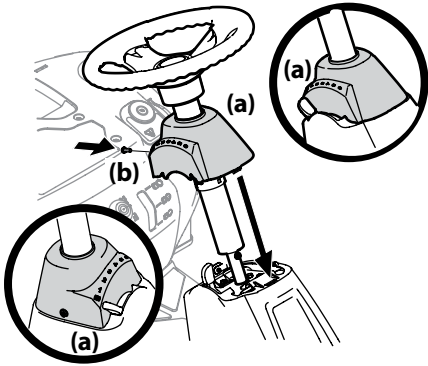


Figure 2-4

Attaching the Seat

If the seat for your riding mower was not attached at the factory, follow the applicable instructions below to attach it.

- Remove the shoulder bolts (a) and lock nuts (b) from the seat mounting bracket (c) included in your hardware pack. See Figure 2-5.

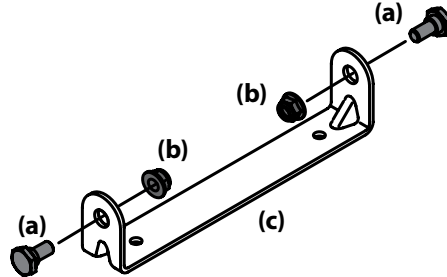


Figure 2-5

- Remove the two self-tapping bolts (a) factory installed on the riding mower. See Figure 2-6.

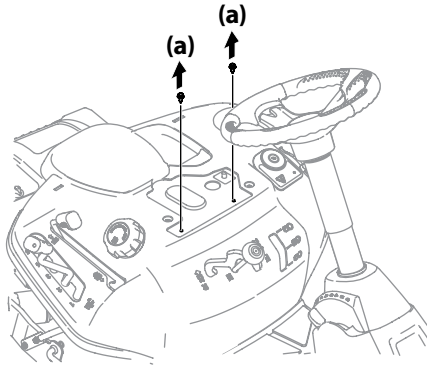


Figure 2-6

- Align the seat bracket (a) in place over the holes from where the self-tapping bolts (b) were removed, as shown in Figure 2-7.

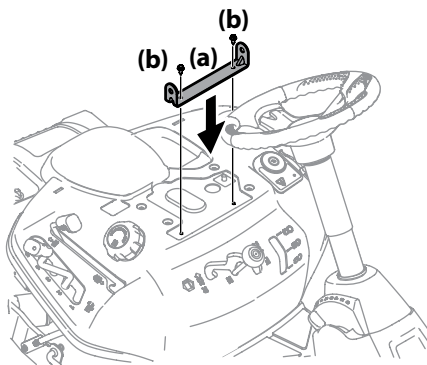


Figure 2-7

- Using a $\frac{1}{4}$ " drive ratchet with a $\frac{3}{8}$ " socket, secure the seat bracket (a) with the self-tapping bolts (b) removed in step 2. See Figure 2-7.

CAUTION

Do not use any type of power tool (e.g. impact gun or electric drill with nut driver attached) when tightening the self-tapping bolts to attach the seat bracket.

- Position the seat assembly over the seat mounting bracket, aligning the holes provided.
- Install the two shoulder bolts (a) and lock nuts (b) removed from the seat mounting bracket (c) in Step 1. See Figure 2-8.

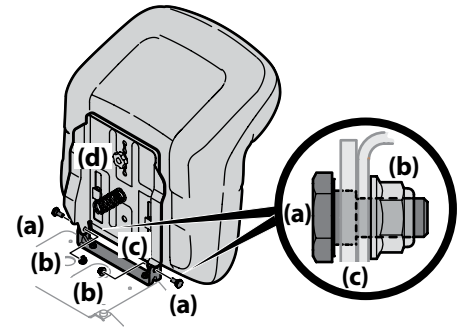


Figure 2-8

Note: Make sure that the bolt's shoulder is completely recessed into the seat bracket when securing the lock nut.

- To adjust the position of the seat, remove the adjustment knob (d) on the bottom of the seat. Slide the seat forward or backward as desired. Retighten the adjustment bolt (d). Refer to Figure 2-8.

Installing the Deck Chute

WARNING

Never operate this riding mower without either the mulch plug or deck chute installed.

- Remove the wing knobs (a) installed on the mowing deck and retain for later installation. See Figure 2-9.

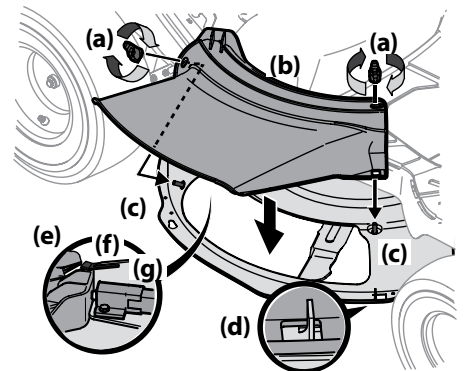


Figure 2-9

2. Install the deck chute (b) into the deck discharge opening on the deck. The rear of the chute (b) should be under the tab (f) on the rear deck bracket (g). The studs (c) on the deck surface will fit through the holes on the upper portion of the deck chute (b). The small tab (d) on the deck lip area will fit through the square cutout on the lower portion of the deck chute (b). See Figure 2-9.

Note: Make certain that the upper-rear portion of deck chute (b) is depressing the safety switch (e) located on the deck surface and under the tab (f) on the rear deck bracket (g). The engine will not start without the deck chute (b) properly in place.

3. Secure the deck chute (b) by tightening the wing knobs (a) removed in step 1. See Figure 2-9.

Installing the Mulch Plug (If equipped)

⚠ WARNING

Never operate this riding mower without either the mulch plug or deck chute installed.

1. Remove the wing knobs (a) installed on the mowing deck and retain for later installation. See Figure 2-10.

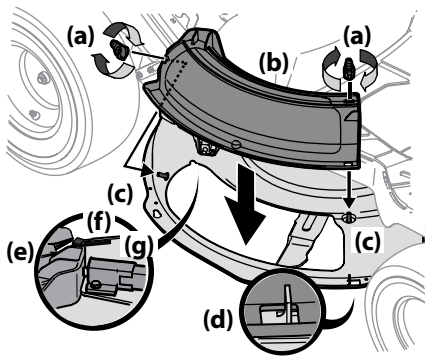


Figure 2-10

2. Install the mulch plug (b) into the deck discharge opening on the deck. The rear of the mulch plug (b) should be under the tab (f) on the rear deck bracket (g). The studs (c) on the deck surface will fit through the holes on the upper portion of the mulch plug (b). The small tab (d) on the deck lip area will fit through the square cutout on the lower portion of the mulch plug (b). See Figure 2-10.

Note: Make certain that the upper-rear portion of mulch plug (b) is depressing the safety switch (e) located on the deck surface and under the tab (f) on the rear deck bracket (g). The engine will not start without the mulch plug (b) properly in place.

3. Secure the mulch plug (b) by tightening the wing knobs (a) removed in step 1.

Installing the Rear Engine Cover (If equipped)

1. Remove the two factory installed hex screws (a) located on the rear engine cover (b). Retain the hex screws (a) for later instructions. See Figure 2-11.

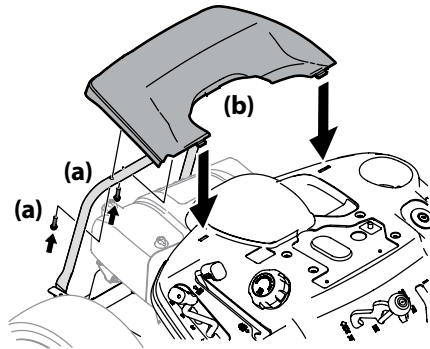


Figure 2-11

2. Install the rear engine cover (b) by positioning it in place as shown in Figure 2-11. Tip the rear engine cover (b) forward to fit it into the slots provided, then rotate it backwards to align the mounting holes.
3. Secure the rear engine cover (b) with the two hex screws (a) removed in Step 1. Do not over-tighten.

Installing the Hitch Plate

1. Slide the hitch plate (a) in between the frame (b) and the rear cover (c) on your rider. See Figure 2-12.

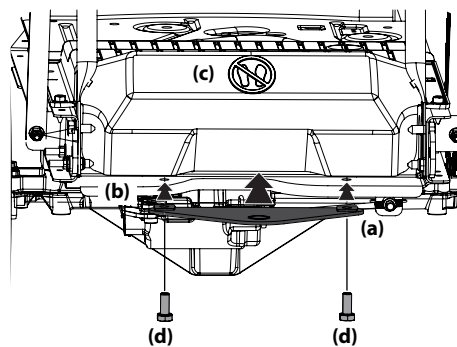


Figure 2-12

2. When the holes in the hitch plate (a) and the frame (b) are aligned, install the two hex screws (d) up through the frame (b) and into the hitch plate (a). See Figure 2-12.
3. Securely tighten the hex screws (d).

Installing the Bumper (If equipped)

1. Remove the two screws (a) as shown in Figure 2-13.

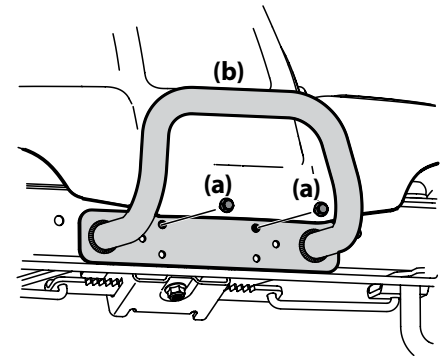


Figure 2-13

2. Position the bumper (b) over the mounting holes and secure using the screws (a) removed in Step 1. See Figure 2-13.

Connecting the Battery Cables

⚠ WARNING

California Proposition 65 Warning: Battery posts, terminals, and related accessories contain lead and lead compounds, chemicals known to the State of California to cause cancer and reproductive harm. Wash hands after handling

⚠ CAUTION

When attaching battery cables, always connect the POSITIVE (Red) wire to its terminal first, followed by the NEGATIVE (Black) wire.

For shipping reasons, both battery cables on your equipment may have been left disconnected from the terminals at the factory. To connect the battery cables, proceed as follows:

Note: The positive battery terminal is marked POS. (+). The negative battery terminal is marked NEG. (-).

1. Remove the factory installed hex bolts (a) and sems nuts (b) located on the end of the wiring harness. Retain the hardware for later instructions. See Figure 2-14.

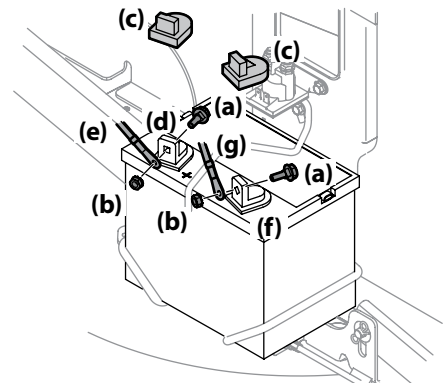


Figure 2-14

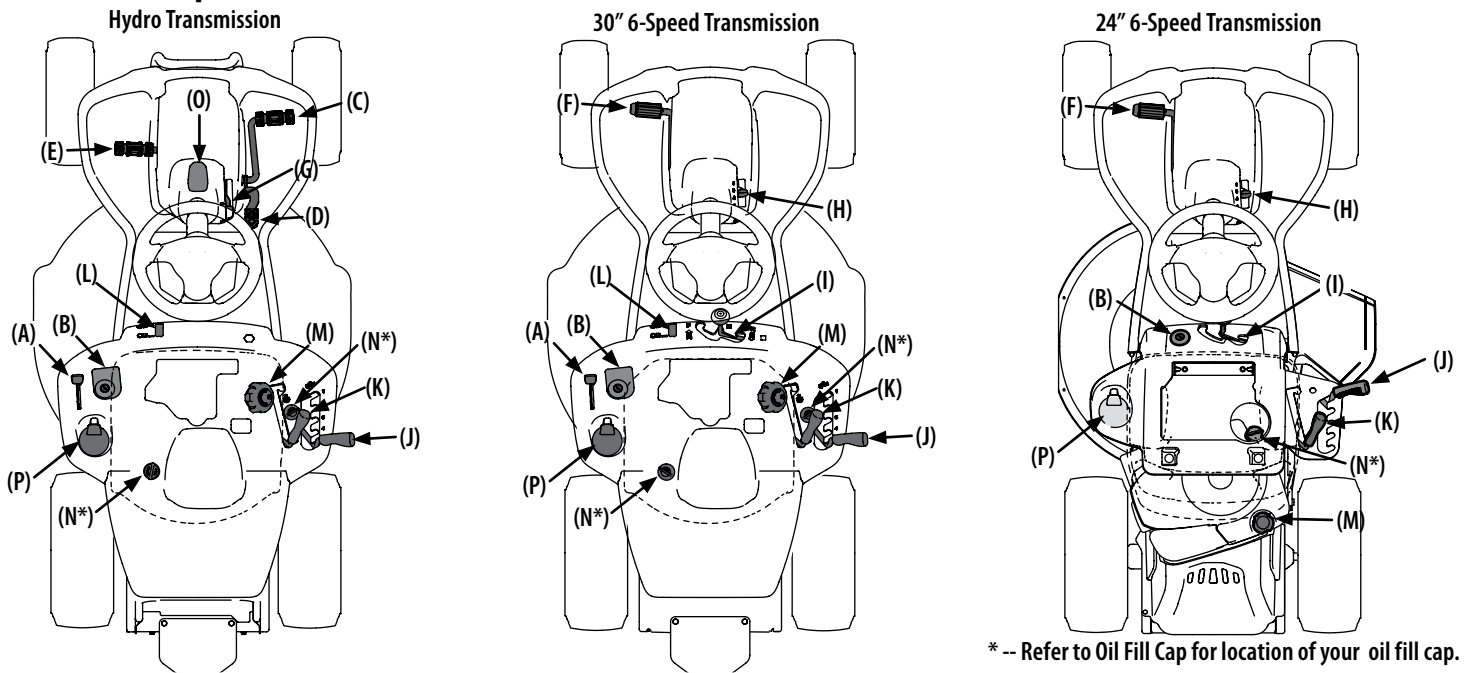


Figure 3-1

* -- Refer to Oil Fill Cap for location of your oil fill cap.

Note: This Operator's Manual covers several models. Riding mower features may vary by model. Not all features in this manual are applicable to all riding mower models and the riding mower depicted may differ from yours.

Note: References to LEFT, RIGHT, FRONT, and REAR indicate that position on the riding mower when facing forward while seated in the operator's seat.

Throttle/Choke Control or Throttle Control Lever (If equipped) (A)

Throttle/Choke Control Lever (If equipped)

The throttle/choke control lever is located on the left side of the riding mower's dash panel. This lever controls the speed of the engine and, when pushed all the way forward, past the detent position closes the choke for cold starting. When set in a given position, the throttle will maintain a uniform engine speed.



Note: When operating the riding mower with the cutting deck engaged, be certain that the throttle/choke control is always in the FAST position.

Throttle Control (If equipped)

The throttle control is located on the left side of the riding mower's dash panel. When set in a given position, a uniform engine speed will be maintained.



Push the throttle control handle forward to increase the engine speed. The riding mower is designed to operate with the throttle control in the FAST position (full throttle) when the mower deck is engaged.

Pull the throttle control handle rearward to decrease the engine speed.

Ignition Module (B)

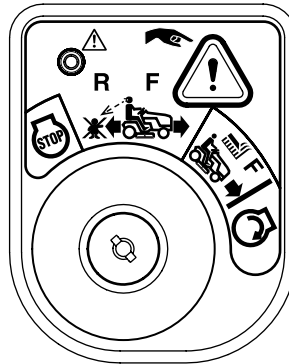
WARNING

Never leave a running machine unattended. Always disengage PTO, set parking brake, stop engine and remove key to prevent unintended starting.

The ignition module is located on the left fender of the riding mower seated in the operator's position, adjacent to the throttle/choke control or throttle control.

Ignition Module w/ Reverse Caution Mode (If equipped)

To start the engine, insert the key into the ignition switch and turn clockwise to the START position. Release the key into the NORMAL MOWING MODE position once the engine has fired.



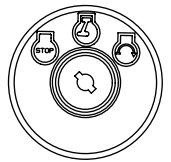
To stop the engine, turn the ignition key counterclockwise to the STOP position.

CAUTION

Prior to operating the riding mower, refer to both Safety Interlock Switches and Starting The Engine in the Operation section of this manual for detailed instructions regarding the Ignition Switch Module and operating the riding mower in REVERSE CAUTION MODE.

Ignition Module (If equipped)

The ignition switch has three positions:



STOP — The engine and electrical system is turned off.

RUN — The riding mower electrical system is energized.

START — The starter motor will turn over the engine. Release the key immediately when the engine starts

Note: To prevent accidental starting and/or battery discharge, remove the key from the ignition switch when the riding mower is not in use.

Forward Drive Pedal (Hydro riding mowers) (C)

The forward drive pedal is located on the right side of the machine, along the running board. Press the forward drive pedal forward to cause the riding mower to travel forward. Ground speed is also controlled with the forward drive pedal. The further forward the pedal is pivoted, the faster the riding mower will travel. The pedal will return to its original/neutral position when it's not pressed.

Reverse Drive Pedal (Hydro riding mowers) (D)

The reverse drive pedal is located on the right side of the riding mower along the running board. Ground speed is also controlled with the reverse drive pedal. The further downward the pedal is pivoted, the faster the riding mower will travel. The pedal will return to its original/neutral position when it's not pressed.

Brake Pedal (Hydro riding mowers) (E)

The brake pedal is located on the left side of the riding mower, along the running board. Depress the pedal all the way down to engage the disc brake and bring the riding mower to a complete stop.

Note: The brake pedal must be completely depressed to start the engine. Refer to Safety Interlock Switches for more information.

Clutch-Brake Pedal (6-speed riding mowers) (F)

The clutch-brake pedal is located on the left side of the lawn riding mower, along the running board. Depress the clutch-brake pedal part way down when slowing the riding mower by changing speeds (refer to Speed Control Lever). Depress the pedal all the way down to engage the disc brake and bring the riding mower to a complete stop.

Note: The clutch-brake pedal must be completely depressed to start the engine. Refer to Safety Interlock Switches section.

Parking Brake Lever (Hydro riding mower) (G)

To set the parking brake, fully depress the brake pedal. Move the parking brake lever all the way down and into the parking brake position. Release the brake pedal to allow the parking brake to engage.

To release the parking brake, depress the brake pedal and move the parking brake lever out of the parking brake position. Release the brake pedal.

Note: The parking brake must be set if the operator leaves the seat with the engine running or the engine will automatically shut OFF.

Parking Brake/Speed Control Lever (6-speed riding mower) (H)

To set the parking brake, fully depress the clutch-brake pedal. Move the parking brake/speed control lever all the way down and into the parking brake position. Release the clutch-brake pedal to allow the parking brake to engage.

To release the parking brake, depress the clutch-brake pedal and move the parking brake/speed control lever out of the parking brake position into the desired position. Release the clutch-brake pedal.

Note: The parking brake must be set if the operator leaves the seat with the engine running or the engine will automatically shut OFF.

The speed control lever allows you to regulate the ground speed of the riding mower.

To use, depress the clutch-brake pedal and move the parking brake/speed control lever out of the parking brake notch and forward to increase the riding mower's ground speed. When a desired speed has been reached, release the parking brake/speed control lever into an appropriate notch to maintain that speed.

To slow the riding mower's ground speed, depress the clutch-brake pedal and move the parking brake/speed control lever rearward and release it into a notch.

Shift Lever (6-speed riding mowers) (I)

The shift lever is located on the control panel just below the seat, in the center of the riding mower. It has three positions: FORWARD, NEUTRAL and REVERSE. The brake pedal must be completely depressed and the riding mower must not be in motion when moving the shift lever.

Deck Lift Lever (J)

Found on your riding mower's right fender, the deck lift lever is used to change the height of the cutting deck. To use, move the lever to the left, then place in the notch best suited for your application.

PTO Lever (K)

Found on the riding mower's right fender, the PTO lever is used to engage power to the cutting deck. To operate, move the lever all the way forward. Moving the lever all the way rearward into the OFF position disengages power to the cutting deck.

Note: The PTO lever must be in the disengaged (OFF) position when starting the engine.

Fuel Lever Indicator (If equipped) (L)

The fuel lever indicator is located below the seat on the left hand side from the operator's position in the controls panel. Use this window to identify the riding mower's fuel needs. See Figure 4-3.

Fuel Fill Cap (M)

The fuel fill cap is located below the right side of the seat on 30" deck models and on the engine to the rear of the riding mower on 24" deck models. Refer to the Assembly & Set-up section in this manual for instructions for 30" deck models and the Engine Operator's Manual for 24" deck models for fuel filling instructions.

Oil Fill Cap (N)

The oil fill cap is located under the left side of the seat on models equipped with Briggs & Stratton engines, the oil fill cap is located under the right fender on all other models. Refer to the Engine Operator's Manual for instructions on checking and adding oil to this riding mower.

Headlight (If equipped) (O)

The headlight is ON whenever the key is rotated out of the STOP position. The headlight turns OFF when the ignition key is moved to the STOP position.

Cup Holder (P)

The cup holder is located to the left of the operator's seat.

Transmission Bypass Rod (Not Shown)

The transmission bypass rod is located inside the right tire on the lower right section of the frame.

When engaged, the rod opens a bypass within the hydrostatic transmissions, which allows the riding mower to be pushed short distances by hand. Refer to the Assembly & Set-Up section for instructions on using the bypass feature.

Operation

⚠ WARNING	
Avoid Serious Injury or Death	
•	Know location and function of all controls.
•	Remove objects which could be thrown by the blades.
•	Go up and down slopes, not across.
•	Use extra caution on slopes. Do not mow slopes greater than 12 degrees. Avoid sudden turns. Use low speed.
•	Do not operate machine where it could tip or slip.
•	If machine stops going uphill, stop blades and back down slowly.
•	Before leaving operator's position, disengage blades, engage parking brake, shut off and remove key.
•	Be sure blades and engine are stopped before placing hands or feet near blades.
•	Keep safety devices (guards, shields, switches, etc.) in place and working.
•	Keep bystanders away.
•	Allow machine to cool before fueling or storing.
•	Keep machine free of debris.
Read Operator's Manual	

Safety Interlock Switches

This riding mower is equipped with a safety interlock system for the protection of the operator. If the interlock system should ever malfunction, do not operate the riding mower. Contact an authorized service dealer.

- The safety interlock system prevents the engine from cranking or starting unless the parking brake is engaged, and the PTO lever is in the disengaged (OFF) position.
- The engine will automatically shut OFF if the operator leaves the seat before engaging the parking brake.
- The engine will automatically shut OFF if the operator leaves the riding mower's seat with the PTO lever in the engaged (ON) position, regardless of whether the parking brake is engaged.
- With the ignition key in the NORMAL MOWING MODE/RUN position, the PTO will automatically shut OFF if the PTO lever is moved into the engaged (ON) position with the shift lever in position for reverse travel.
- The engine will automatically shut OFF if the mulch plug, deck chute or bagger chute is removed, regardless of whether the parking brake is engaged or the PTO lever is in the disengaged (OFF) position.

⚠ WARNING	
Do not operate the riding mower if the safety interlock system is malfunctioning. This system was designed for your safety and protection.	

Engaging the Parking Brake

To engage the parking brake:

1. Fully depress the clutch-brake or brake pedal and hold it down with your foot.
2. Move the parking brake lever down into the parking brake position.
3. Release the clutch-brake or brake pedal to allow the parking brake to engage.

To release the parking brake:

1. Depress the clutch-brake or brake pedal and move the parking brake lever out of the parking brake position.

Steering Wheel Height Adjustment (If equipped)

To adjust the height of the steering wheel:

1. Sit in the operator's seat and place your hands on the steering wheel.
2. Push the button (a) on the steering column and raise or lower the steering wheel to the desired position. See Figure 3-2.

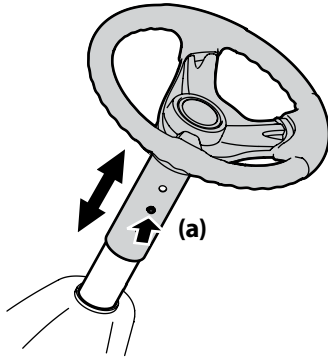


Figure 3-2

Note: Once the desired position is achieved, lift up and down on the steering wheel to make sure it locks into place and the button (a) on the steering column releases into a locked position. Do not operate this riding mower unless the steering column is in a locked position.

Setting the Cutting Height

Select the height position of the cutting deck by placing the deck lift lever in any of the different cutting height notches on the right side of the fender.

⚠ WARNING

Keep hands and feet away from the discharge opening of the cutting deck.

Refer to Leveling the Deck in the Maintenance & Adjustments section of this manual for more detailed instructions regarding deck adjustment.

Starting the Engine

⚠ WARNING

Do not operate the riding mower if the interlock system is malfunctioning. This system was designed for your safety and protection.

Note: Refer to the Assembly & Set-Up section of this manual for gasoline and oil fill-up instructions.

1. Insert the key into the ignition module.
2. Place the PTO lever in the disengaged (OFF) position.
3. Engage the riding mower's parking brake.
4. Activate the choke control (if equipped) by moving the throttle/choke control lever (if equipped) all the way forward into the choke position.
5. Turn the key clockwise to the START position. After the engine starts, release the key. It will return to the NORMAL MOWING MODE/RUN position.

⚠ CAUTION

Do NOT hold the key in the START position for longer than ten seconds at a time. Doing so may cause damage to your engine's electric starter.

6. After the engine starts, deactivate the choke (if equipped) by placing the throttle/choke control (if equipped) into the FAST position.

Note: Do NOT operate this riding mower with the choke control activated. Doing so will result in a "rich" fuel mixture and can cause the engine to run poorly.

Stopping the Engine

⚠ WARNING

If you strike a foreign object, stop the engine, disconnect the spark plug wire and ground against the engine. Thoroughly inspect the machine for any damage. Repair the damage before restarting and operating.

1. If the blade is engaged, place the PTO lever in the disengaged (OFF) position.
2. Place the throttle/choke control (if equipped) or throttle control (if equipped) near the SLOW position.
3. Turn the key counter-clockwise to the STOP position.
4. Remove the key from the ignition module to prevent unintended starting.

Driving the Riding Mower

⚠ WARNING

Avoid sudden starts, excessive speed and sudden stops.

⚠ WARNING

Do not leave the seat of the riding mower without first placing the PTO (Blade Engage) lever in the disengaged (OFF) position, depressing the clutch-brake pedal and engaging the parking brake. If leaving the riding mower unattended, also turn the ignition key OFF and remove the key.

⚠ WARNING

Always look down and behind before and while backing up to avoid a back-over accident.

1. Move the throttle/choke control (if equipped) or throttle control (if equipped) into the FAST position.
2. Place the shift lever in either the FORWARD or REVERSE position on 6-speed riding mowers. On hydro riding mowers, slowly engage the forward drive pedal to travel FORWARD until the desired speed is reached. To travel in REVERSE, slowly engage the reverse drive pedal until the desired speed is reached.
3. Depress the clutch-brake pedal and move the speed control lever out of the parking brake position and into the desired speed setting on 6-speed riding mowers. On hydro riding mowers depress the brake pedal and move the parking brake lever out of the parking brake position.
4. Release clutch-brake pedal slowly to put the riding mower in motion on 6-speed riding mowers. On hydro riding mowers slowly depress the forward or reverse drive pedal until the desired speed is reached.
5. The riding mower is brought to a stop by depressing the clutch-brake pedal or brake pedal.

Important: Do NOT use the shift lever (if equipped) to change the direction of travel when the riding mower is in motion. Always use the clutch-brake pedal (if equipped) to bring the riding mower to a complete stop before shifting.

Important: First-time operators should use speed positions 1 or 2 on the shift lever (if equipped). Become completely familiar with the riding mower's operation and controls before operating the riding mower at higher speeds.

Note: When operating the riding mower initially, there will be little difference between the highest two speeds on the shift lever (if equipped) until after the belts have seated themselves into the pulleys during the break-in period.

⚠ WARNING

Before leaving the operator's position for any reason, disengage the blade, place the shift lever (if equipped) in neutral, engage the parking brake, shut engine OFF and remove the key.


Important: When stopping the riding mower for any reason while on a grass surface, always:

- Place the shift lever into neutral.
- Engage the parking brake.
- Shut the engine OFF and remove the key. Doing so will minimize the possibility of having your lawn "browned" by hot exhaust from your riding mower's running engine.

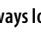
If 6-speed riding mower stalls with speed control lever (if equipped) in high speed, or if riding mower will not operate with speed control lever (if equipped) in a low speed position, proceed as follows:

- Place shift lever (if equipped) in NEUTRAL.
- Restart engine.
- Place speed control lever (if equipped) in highest speed position.
- Release clutch-brake pedal (if equipped) fully.
- Depress clutch-brake pedal (if equipped).
- Place speed control lever (if equipped) in desired position.
- Place shift lever (if equipped) in either FORWARD or REVERSE, and follow normal operating procedures.

Reverse Caution Mode (If equipped)



The REVERSE CAUTION MODE  position of the ignition module allows the tractor to be operated in reverse with the blades (PTO) engaged.

Note: Mowing in reverse is not recommended.

<p>⚠ WARNING</p> <p>Use extreme caution while operating the tractor in the REVERSE CAUTION MODE . Always look down and behind before and while backing. Do not operate the tractor when children or others are around. Stop the tractor immediately if someone enters the area.</p>

To use the REVERSE CAUTION MODE :

Note: The operator MUST be seated in the tractor seat.

1. Start the engine as previously instructed.
2. Turn the key from the NORMAL MOWING  (a) position to the REVERSE CAUTION MODE  (b) position of the ignition module. See Figure 3-1.

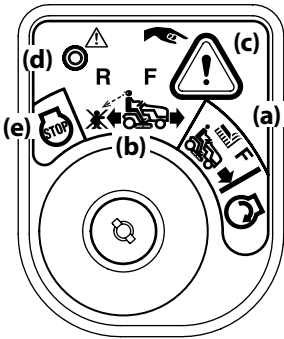



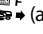



Figure 3-1

3. Press the REVERSE PUSH BUTTON  (c) at the top, right corner of the ignition module. The red indicator light (d) at the top, left corner of the ignition module will be ON while activated. See Figure 3-1.
4. Once activated (indicator light ON), the tractor can be driven in reverse with the cutting blades (PTO) engaged.
5. Always look down and behind before and while backing to make sure no children are around. After resuming forward motion, return key to the NORMAL MOWING  (a) position.

The REVERSE CAUTION MODE  will remain activated until:

- a. The key is placed in either the NORMAL MOWING  (a) position or STOP  (e) position or
- b. The operator leaves the seat.

Driving on Slopes

Refer to the SLOPE GAUGE in the Important Safe Operation Practices section to help determine slopes where you may operate the riding mower safely.

<p>⚠ WARNING</p> <p>Do not mow on inclines with a slope in excess of 12 degrees (a rise of approximately 2 feet for every 10 feet). The riding mower could overturn and cause serious injury.</p>
--

- Mow up and down slopes, NEVER across.
- Exercise extreme caution when changing direction on slopes.
- Watch for holes, ruts, bumps, rocks, or other hidden objects. Uneven terrain could overturn the machine. Tall grass can hide obstacles.
- Avoid turns when driving on a slope. If a turn must be made, turn down the slope. Turning up a slope greatly increases the chance of a roll over.
- Avoid stopping when driving up a slope. If it is necessary to stop while driving up a slope, start up smoothly and carefully to reduce the possibility of flipping the riding mower over backward.

Engaging the PTO

Engaging the PTO transfers power to the cutting deck. To engage the blade, proceed as follows:

1. Move the throttle/choke control (if equipped) or throttle control (if equipped) into the FAST position.
2. Grasp the PTO lever and pivot it all the way forward into the engaged (ON) position.

Note: Keep the throttle/choke control (if equipped) or throttle control (if equipped) in the FAST (rabbit) position for the most efficient use of the cutting deck.

Important: The PTO (Blade Engage) lever must be in the disengaged (OFF) position when starting the engine, when traveling in reverse, and if the operator leaves the seat. Refer to Safety Interlock Switches section of this manual.

Mulching (If equipped)

Mulching is a process of recirculating grass clippings repeatedly beneath the cutting deck. The ultra-fine clippings are then forced back into the lawn where they act as a natural fertilizer. Refer to the Assembly & Set-up section of this manual for instructions on how to install the mulch kit (if equipped).

Using the Deck Lift Lever

To raise the cutting deck, move the deck lift lever to the left, then place it in the notch best suited for your application. Refer to Setting the Cutting Height in this section.

Mowing

<p>⚠ WARNING</p> <p>To help avoid blade contact or a thrown object injury, keep bystanders, helpers, children and pets at least 75 feet from the machine while it is in operation. Stop machine if anyone enters the area.</p>

<p>⚠ WARNING</p> <p>Plan your mowing pattern to avoid discharge of materials toward roads, sidewalks, bystanders and the like. Also, avoid discharging material against a wall or obstruction which may cause discharged material to ricochet back toward the operator.</p>
--

The following information will be helpful when using the cutting deck with your riding mower:

- Do not mow at high ground speed, especially if a mulch kit or grass collector is installed.
- For best results it is recommended that the first two laps be cut with the discharge thrown towards the center. After the first two laps, reverse the direction to throw the discharge to the outside for the balance of cutting. This will give a better appearance to the lawn.
- Do not cut the grass too short. Short grass invites weed growth and yellows quickly in dry weather.
- Mowing should always be done with the engine at full throttle.
- Under heavier conditions it may be necessary to go back over the cut area a second time to get a clean cut.
- Do NOT attempt to mow heavy brush and weeds and extremely tall grass. Your riding mower is designed to mow lawns, NOT clear brush.
- Keep the blade sharp and replace the blade when worn. Refer to Cutting Blade in the Service section of this manual for proper blade sharpening instructions.

	Before Each use	Every 10 Hours	Every 25 Hours	Every 50 Hours	Every 100 Hours	Prior to Storing
Check/Clean Engine Intake Screens & Cooling Fans *	✓					✓
Check/Clean Exhaust Manifold, Muffler Pipe & Muffler Shields *	✓					✓
Check/Clean Hood/Dash Panel Louvers *	✓					✓
Check/Clean Top & Underside of Deck, Under and Around Spindle Covers & Belt Area *	✓					✓
Check/Clean Around Fuses, Wiring and Wiring Harnesses *	✓					✓
Check/Clean Around Transmission, Axle and Fans *	✓					✓
Check Engine Oil Level		✓				
Check Air Filter for Dirty, Loose or Damaged Parts	✓					
Clean & Re-oil Air Filter's Foam Pre-cleaner (if Equipped)			✓			
Replace Air Filter Element					✓	
Change Engine Oil & Replace Oil Filter (if Equipped)				✓		
Lube Front Axles & Rims			✓			✓
Check Spark Plug Condition & Gap					✓	✓
Replace Fuel Filter					✓	

*-- Perform more often in dry conditions and/or when mulching

Important: It is important to consult the specific Engine Operator's Manual included with this machine for detailed engine maintenance procedures and intervals.

Note: This Operator's Manual covers several models. Riding mower features may vary by model. Not all features in this manual are applicable to all riding mower models and the riding mower depicted may differ from yours.

Post-Operation Rider Care

After each operation of the rider, the following procedures should be implemented to extend the life of your rider and ensure safe operating conditions.

▲ DANGER
Failure to follow these recommendations may result in serious injury to yourself or others and may cause damage to the rider.

Cleaning the Underside of the Deck

Deck Wash System (if equipped)

Your rider's deck is equipped with a water port on its surface as part of its deck wash system.

Use the Smart Jet to rinse grass clippings from the deck's underside and prevent the buildup of corrosive chemicals. Complete the following steps AFTER EACH MOWING:

1. Drive the rider to a level, clear spot on your lawn, near enough for your garden hose to reach.
- ▲ WARNING**

Make certain the rider's discharge chute is directed AWAY from people, your house, garage, parked cars, etc.
2. Disengage the PTO, set the parking brake and stop the engine.
 3. Thread the hose coupler (packaged with your rider's Operator's Manual) onto the end of your garden hose.


4. Attach the hose coupler to the water port on your decks surface. See Figure 4-1.



Figure 4-1

Note: Make sure that the hose is not routed under the deck and is clear of all moving parts.

5. Turn the water on.
6. While sitting in the operator's position on the rider, start the engine and place the throttle lever in the FAST position.

7. Move the rider's PTO into the engaged (ON) position.
8. Remain in the operator's position with the deck engaged for a minimum of two minutes, allowing the underside of the deck to thoroughly rinse.
9. Move the rider's PTO into the disengaged (OFF) position.
10. Turn the ignition key to the STOP  position to turn the rider's engine off.
11. Turn the water off and detach the hose coupler from the water port on your deck's surface.
12. After cleaning your deck with the Smart Jet system, return to the operator's position and engage the PTO. Keep the deck running for a minimum of two minutes, allowing the underside of the deck to thoroughly dry.

Cleaning the Rider

⚠ WARNING

If the rider has been recently run, the engine, muffler and surrounding metal surfaces will be hot and can cause burns to the skin. Let the engine cool for at least five minutes. Exercise caution to avoid burns.

Your rider should be cleaned after each use and under certain conditions, i.e. dry conditions and/or mulching situations, additional cleaning may be necessary.

One of the best ways to keep your rider running efficiently and to reduce fire risk is to regularly remove debris buildup from the rider. Follow the recommendations below and contact your authorized dealer with any questions.

- Allow the machine to cool in an open area before cleaning.
- Do not use water on any part of the rider except the underside of the cutting deck. Doing so can cause damage to the rider's spindle bearings, electrical system and engine, leading to premature failures. The use of compressed air and/or leaf blower will help keep the rider clean.
- Clean under the hood. Exhaust manifold, around fuses, all wiring and harnesses, muffler pipe, muffler shield, engine intake screens and cooling fins, etc. See Figure 4-2.

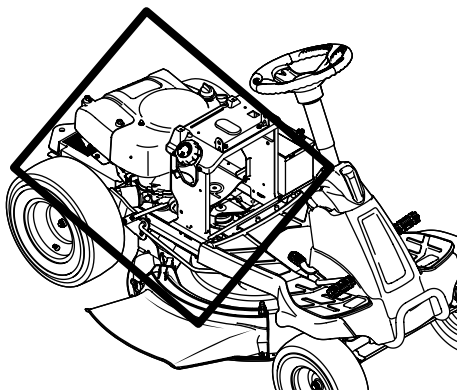


Figure 4-2

- Clean the top of the mower deck, under the spindle covers and belt area. See Figure 4-3.

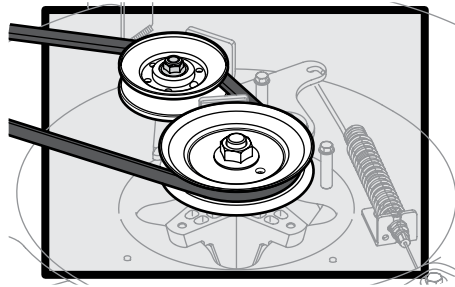


Figure 4-3

- Clean around and near the transmission, axle and the fan area. See Figure 4-3.
- Debris can accumulate anywhere on the rider, especially on horizontal surfaces. Additional cleaning may be necessary when mowing in dry conditions or when mulching.
- Fuel leaks/spills, oil leaks/spills and excess lubrication can also become collections sites for debris. Immediate repair and cleaning up oil or fuel spills can help reduce fire hazards.
- In addition to cleaning the rider before operating and storing, do not attempt to mow unusually tall grass (10" or higher), dry grass (e.g., pasture) or piles of dry leaves. Dry grass or leaves may contact the engine exhaust and/or build up on the mower deck presenting a potential fire hazard.

Battery

Clean the battery by removing it from the riding mower and washing with a baking soda and water solution. If necessary, scrape the battery terminals with a wire brush to remove deposits. Coat terminals and exposed wiring with grease or petroleum jelly to prevent corrosion.

The battery is sealed and is maintenance-free. Acid levels cannot be checked.

- Always keep the battery cables and terminals clean and free of corrosive build-up.
- After cleaning the battery and terminals, apply a light coat of petroleum jelly or grease to both terminals.
- Always keep the rubber boot positioned over the positive terminal to prevent shorting.

Important: If removing the battery for any reason, disconnect the NEGATIVE (Black) wire from its terminal first, followed by the POSITIVE (Red) wire. When re-installing the battery, always connect the POSITIVE (Red) wire its terminal first, followed by the NEGATIVE (Black) wire. Be certain that the wires are connected to the correct terminals; reversing them could change the polarity and result in damage to your engine's alternating system.

Storing the Rider

- Allow the machine to cool in an open area before storing.
- Do not park the rider near any flammable materials (wood, cloth or chemicals) or any open flames or other potential source of ignition (furnace, water heater or any other type of heater).

- Remove all combustible materials from the rider before storing. Empty cargo boxes, grass catchers or containers.
- Always shut off fuel flow when storing or transporting if rider is equipped with a fuel shutoff.
- Check the fuel system (lines, tank, cap and fittings) frequently for cracks or leaks. Repair and clean as necessary.

Maintenance

⚠ WARNING

Before performing any maintenance or repairs, disengage PTO, move shift lever (if equipped) into neutral position, set parking brake, stop engine and remove key to prevent unintended starting.

Engine

Note: On some models, it may be necessary to remove bagger (if equipped) components to access the oil fill and/or drain.

Refer to the Engine Operator's Manual for engine maintenance instructions.

Check engine oil level before each use as instructed in the Engine Operator's Manual packed with your riding mower. Follow the instructions carefully.

Changing Engine Oil

Note: An oil siphon is needed to drain the oil from the crankcase on the 24" Deck model. See the Parts/Warranty supplement for information on purchasing an oil siphon kit (part no. 490-850-0008). Refer to the Engine Operator's Manual included with this riding mower for complete engine maintenance instructions.

For draining oil from the engine's crankcase, proceed as follows:

1. Run the engine for a few minutes to allow the oil in the crankcase to warm up. Warm oil will flow more freely and carry away more of the engine sediment which may have settled at the bottom of the crankcase. Use care to avoid burns from hot oil.
2. Locate the oil drain valve on the side of the engine and the oil fill cap on the top side of the engine.
3. Unscrew the oil fill cap and remove the dipstick from the oil fill tube.
4. Snap the small end of oil drain sleeve (a) onto the space provided around the oil drain plug (b). See Figure 4-1.

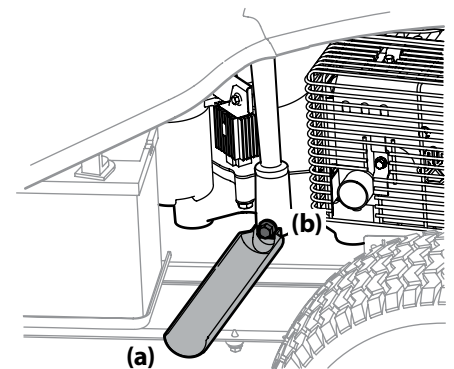


Figure 4-1

5. Remove the oil drain plug and drain the oil into a suitable container with a capacity of no less than 64 oz.

- Tip the riding mower slightly in the direction of the suitable container to aid in fully draining all of the oil from the engine.

▲ WARNING

Before tipping engine or equipment to drain oil, drain fuel from tank by running engine until fuel tank is empty.

- Replace the oil drain plug and tighten. Be careful not to overtighten the oil drain plug.
- Refill the engine with new oil as instructed in the Engine Operator's Manual packed with your riding mower.

Note: Refer to the Engine Operator's Manual packed with your riding mower for information regarding the quantity and proper viscosity of motor oil.

Lubrication

▲ WARNING

Before lubricating, repairing, or inspecting, always disengage PTO, move shift lever into neutral position, set parking brake, stop engine and remove key to prevent unintended starting.

Engine

Lubricate the engine with motor oil as instructed in the Engine Operator's Manual packed with your riding mower.

Pivot Points & Linkage

Lubricate all the pivot points on the drive system, parking brake and lift linkage at least once a season with light oil.

Rear Wheels

The rear wheels should be removed from the axles once a season. Lubricate the axles and the rims well with an all-purpose grease before re-installing them.

Front Axles

Each end of the riding mower's front pivot bar may be equipped with a grease fitting. Lubricate with a grease gun after every 25 hours of riding mower operation.

Steering Rack & Pinion

Once per season, or every 25 hours of operation, it will be necessary to lubricate the steering rack and pinion gear (a) located under the front of the riding mower. Using standard automotive grease, apply grease to the front side and rear side of the steering rack and pinion gear (a), as indicated in Figure 4-2.

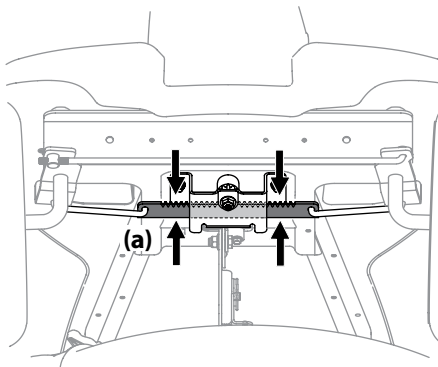


Figure 4-2

Adjustments

▲ WARNING

Never attempt to make any adjustments while the engine is running, except where specified in the Operator's Manual.

Seat

Refer to the Set-Up & Assembly section of this manual for seat adjustment instructions.

Parking Brake

▲ WARNING

Never attempt to adjust the brakes while the engine is running. Always disengage PTO, move shift lever into neutral position, stop engine and remove key to prevent unintended starting.

If the riding mower does not come to a complete stop when the brake pedal is completely depressed, or if the riding mower's rear wheels can roll with the parking brake applied, the brake is in need of adjustment. See an authorized service dealer to have your brakes properly adjusted.

Deck

Note: Check the riding mower's tire pressure before performing any deck leveling adjustments. Refer to Tires, in the Assembly & Set-Up section for more information regarding tire pressure.

Front-to-Rear Levelling

It is possible to adjust the pitch of the cutting deck. The front of the deck should be between 0" (level) and ¼" lower than the rear of the deck. Adjust if necessary as follows:

- With the riding mower parked on a firm, level surface, place the deck lift lever in the middle position and rotate the blade so that it is aligned with the front and rear of the riding mower.
- Measure the distance from the front of the blade tip to the ground and the rear of the blade tip to the ground. The first measurement taken should be between 0" (level) and ¼" less than the second measurement. Determine the approximate distance necessary for proper adjustment and proceed, if necessary, to the next step.
- Locate the flange lock nut (a) on the front end of the PTO lift rod (b). See Figure 4-3.

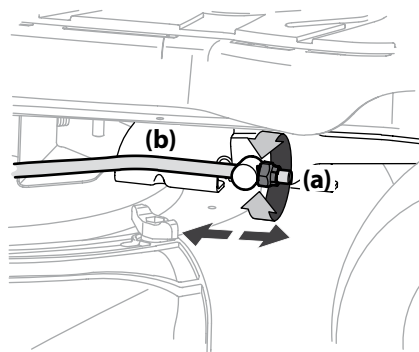


Figure 4-3

- Tighten the flange lock nut (a) to raise the front of the deck.
- Loosen the flange lock nut (a) to lower the front of the deck.

Tires

Refer to the Assembly & Set-Up section for more information regarding tire pressure.

Off Season Storage

▲ WARNING

Never store riding mower with fuel in tank indoors or in poorly ventilated areas where fuel fumes may reach an open flame, spark, or pilot light as on a furnace, water heater, clothes dryer, or gas appliance.

Engine

Important: Fuel left in the fuel tank during warm weather deteriorates and will cause serious starting problems.

To prevent gum deposits from forming inside the engine's carburetor and causing possible malfunction of the engine, the fuel system must be either completely emptied, or the gasoline must be treated with a stabilizer to prevent deterioration.

- If using a fuel stabilizer:
 - Read the product manufacturer's instructions and recommendations.
 - Add to clean, fresh gasoline the correct amount of stabilizer for the capacity of the fuel system.
 - Fill the fuel tank with treated fuel and run the engine for 2-3 minutes to get stabilized fuel into the carburetor.
- If emptying the fuel system:

▲ WARNING

Gasoline is extremely flammable and can be explosive under certain conditions. Drain gasoline before storing the equipment for extended periods. Drain fuel only into an approved container outdoors, away from an open flame. Allow engine to cool. Extinguish cigarettes, cigars, pipes, and other sources of ignition prior to draining fuel. Store gasoline in an approved container in safe location.

- Do not drain fuel when the engine is hot. Allow the engine adequate time to cool. Drain fuel into an approved container outdoors, away from open flame.
- Drain any large volume of fuel from the tank by disconnecting the fuel line from the in-line fuel filter near the engine. See the complete instructions for Draining the Fuel in this section.
- Reconnect the fuel line and run the engine until it starts to falter, then use the choke to keep the engine running until all fuel in the carburetor has been exhausted.
- Disconnect the fuel line and drain any remaining gasoline from the system.

▲ WARNING

Gasoline is a toxic substance. Dispose of gasoline properly. Contact your local authorities for approved disposal methods.

- Remove the spark plug and pour one ounce of engine oil through the spark plug hole into the cylinder. Crank the engine several times to distribute the oil. Replace the spark plug.

Draining the Fuel

1. Locate the fuel filter, it may be attached to the engine with a tie strap.
2. Cut the tie strap, if present, then pinch the in-line clamp on the fuel filter with a pair of pliers, slide the clamp up the fuel line.
3. Pull the fuel line free from the filter and place the open end of the line into an approved container to drain the fuel.

Preparing the Riding Mower

1. Clean and lubricate riding mower thoroughly as described in the Lubrication section.
2. Do not use a pressure washer or garden hose to clean your riding mower.
3. Store riding mower in a dry, clean area. Do not store next to corrosive materials, such as fertilizer.

Service

Cutting Deck Removal

To remove the cutting deck, proceed as follows:

1. Place the PTO lever in the disengaged (OFF) position and engage the parking brake.
2. Lower the deck by moving the deck lift lever into the bottom notch on the right fender.
3. Remove the bow-tie cotter pin (a) and flat washer (b) from the deck lift assembly, and retain for reinstallation later. See Figure 4-4.

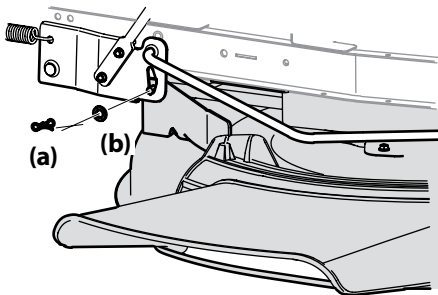


Figure 4-4

4. Remove the belt from around the tractor's PTO pulley. See Figure 4-5.

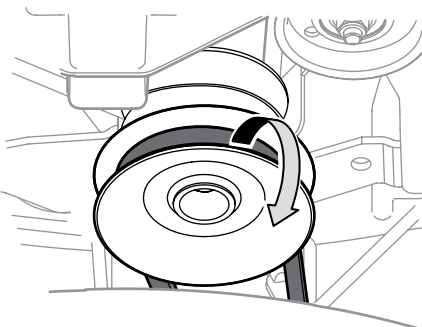


Figure 4-5

5. Remove the remaining bow-tie cotter pins (a) securing the deck to the riding mower, as shown in Figure 4-6.

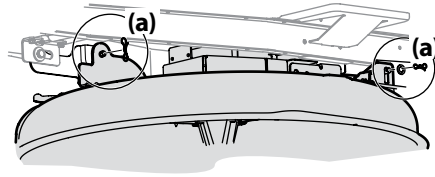


Figure 4-6

Note: When reassembling, the bow-tie clips (a) should be re-installed from the top down.

6. Unplug the wire pigtail from the deck switch.
7. Move the deck lift lever into the top notch on the right fender to raise the deck lift arms up and out of the way.
8. Carefully remove the PTO cable from the rear of the cutting deck. Remove the spring from the deck idler bracket. See Figure 4-7.

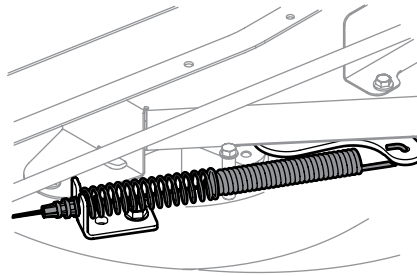


Figure 4-7

9. Gently slide the cutting deck (from the left side) out from underneath the tractor.

Deck Installation

To install the deck, reverse the Deck Removal instructions on page 18.

Changing the Deck Belt

Note: It is possible to change the deck belt with the cutting deck still installed on the tractor; however it is much easier to remove the deck first, change the deck belt, then reinstall the cutting deck.

To change the cutting deck belt, proceed as follows:

1. It is easiest to change the deck belt by first removing the cutting deck as instructed earlier in this section first. Skip this step if deciding to change the deck belt with the mowing deck still installed on the riding mower. Otherwise, remove the cutting deck now.
2. If changing the deck belt with the cutting deck still installed on the riding mower, lower the deck to the lowest mowing position.
3. Remove the deck belt from around the riding mower's PTO drive pulley as shown

in Figure 4-5. Simply roll one side of the belt OFF of the pulley and then work it OFF the pulley by continuing around the pulley until the belt is OFF of the pulley.

4. Pull the belt towards the front of the riding mower, pulling it through and out of the belt keeper rod.
5. Remove the deck belt cover (a) by removing the three hex bolts (b) that secure it. See Figure 4-8 for 30" decks and Figure 4-9 for 24" decks.

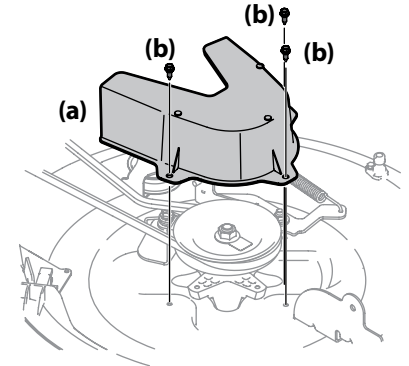


Figure 4-8

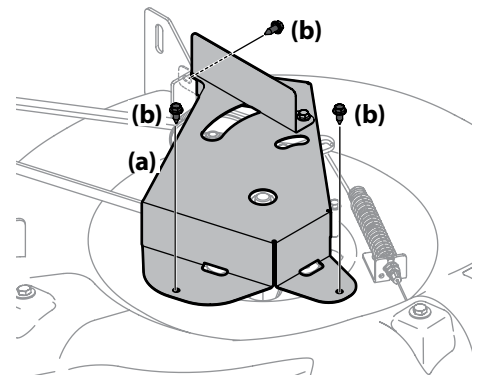


Figure 4-9

6. Remove the belt keeper (30" decks only) by removing the hex bolt (a) that secures it. See Figure 4-10.

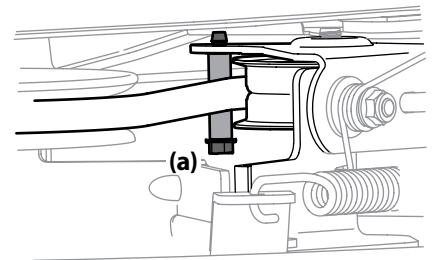


Figure 4-10

- Loosen the idler pulley (24" decks only) (a) by loosening the flange lock nut (b) that secures it, enough to allow clearance for the belt to move past it and off. Remove the belt by working it off of the deck drive pulley (c) and idler pulley (a). See Figure 4-11.

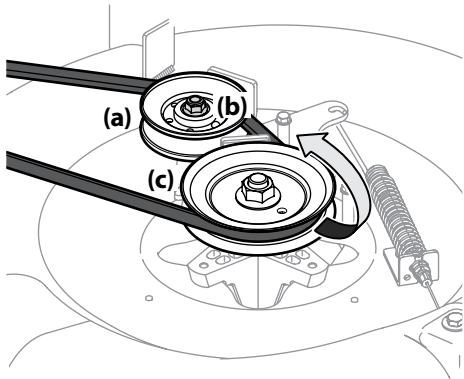


Figure 4-11

- Change the belt then reinstall the all the components removed in the reverse order.
- Feed the deck belt through the belt keeper rod and work it around and onto the PTO drive pulley as shown in Figure 4-5.

Battery

⚠ WARNING

California **PROPOSITION 65**: Battery posts, terminals, and related accessories contain lead and lead compounds, chemicals known to the State of California to cause cancer and reproductive harm. Wash hands after handling.

⚠ CAUTION

If removing the battery for cleaning, disconnect the **NEGATIVE (Black) wire** from its terminal first, followed by the **POSITIVE (Red) wire**. When re-installing the battery, always connect the **POSITIVE (Red) wire** its terminal first, followed by the **NEGATIVE (Black) wire**. Be certain that the wires are connected to the correct terminals; reversing them could result in serious damage to your engine's alternating system.

Battery Failures

Some common causes for battery failure are:

- Incorrect initial activation
- Overcharging
- Freezing
- Undercharging
- Corroded connections

These failures are NOT covered by your tractor's warranty.

Jump Starting

⚠ WARNING

Never jump start a damaged or frozen battery. Be certain the vehicles do not touch, and ignitions are off. Do not allow cable clamps to touch.

- Connect positive (+) cable to positive post (+) of your tractor's discharged battery.
- Connect the other end of the cable to the (positive +) post of the jumper battery.
- Connect the second cable (negative -) to the other post of the jumper battery.

- Make the final connection on the engine block of the tractor, away from the battery. Attach to a unpainted part to assure a good connection.

⚠ CAUTION

If the jumper battery is installed on a vehicle (i.e. car, truck), do NOT start the vehicle's engine when jump starting your tractor.

- Start the tractor as instructed in the Operation section of this manual.
- Set the tractor's parking brake before removing the jumper cables, in reverse order of connection.

Charging

⚠ WARNING

Batteries give off an explosive gas while charging. Charge the battery in a well ventilated area and keep away from an open flame or pilot light as on a water heater, space heater, furnace, clothes dryer or other gas appliances.

⚠ CAUTION

When charging your tractor's battery, use only a charger designed for 12V lead-acid batteries. Read your battery charger's Owner's Manual prior to charging your tractor's battery. Always follow its instructions and heed its warnings.

If your tractor has not been put into use for an extended period of time, charge the battery as follows:

- For 30" deck models:
 - Set your battery charger to deliver a max of 10A.
 - If your battery charger is automatic, charge the battery until the charger indicates that charging is complete. If the charger is not automatic, charge for no fewer than eight hours.
- For 24" deck models
 - A separately available charging unit is available for this tractor. Instructions for using this feature will accompany the battery charging accessory. The charging unit will plug in right next to the battery as shown in Figure 4-12. To order the battery charger, see the Parts/Warranty supplement sheet.

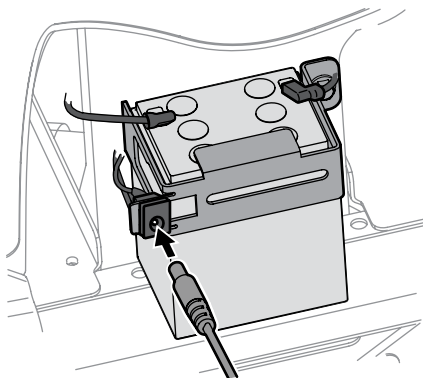


Figure 4-12

Fuse

One 5A fuse is installed in your tractor's wiring harness located just above the battery, under the left fender, to protect the tractor's electrical system from damage caused by excessive amperage.

If the electrical system does not function, or your tractor's engine will not crank, first check to be certain that the fuse has not blown. It can be found at the rear of the riding mower, underneath the fender located by the battery.

⚠ CAUTION

Always use a replacement fuse with the same amperage capacity as the blown fuse.

Blade

⚠ WARNING

Shut the engine off and remove ignition key before removing the cutting blade(s) for sharpening or replacement. Protect your hands by using heavy gloves when grasping the blade.

⚠ WARNING

Periodically inspect the blade and/or spindle for cracks or damage, especially after you've struck a foreign object. Do not operate the machine until damaged components are replaced.

⚠ CAUTION

If the cutting edge of the blade has previously been sharpened, or if any metal separation is present, replace the blades with new ones.

The blade may be removed as follows.

Note: It may be easier to change the blade by first removing the deck from beneath the tractor, (refer to Cutting Deck Removal earlier in this section) then gently flip the deck over to expose its underside. It is possible to change the blade, however, with the deck still attached to the tractor. If attempting to change the blade with the deck still installed on the tractor, first move the deck lift lever to its highest cutting position.

- Remove the mulch plug, deck chute or bagging chute, if equipped, exposing the deck chute opening.
- Using a block of wood or 2 x 4, insert it into the deck opening and rotate the blade around until it wedges the wood between the deck opening and the cutting blade, as shown in Figure 4-13.

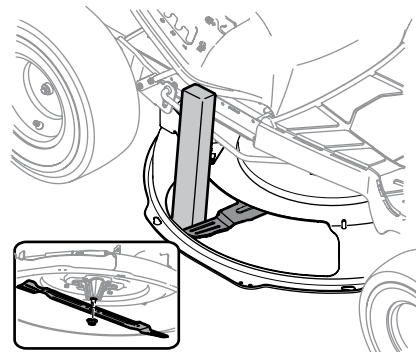


Figure 4-13

- Remove the hex flange nut that secures the blade to the spindle assembly. See the Inset of Figure 4-13.

MANUAL DEL OPERADOR

Tractor cortacésped

Índice

<i>Importantes medidas de seguridad</i>	2	<i>Cuidado del producto</i>	14
<i>Armado y montaje</i>	7	<i>Piezas/Garantía</i>	<i>Consulte el suplemento que se adjunta por separado</i>
<i>Controles y Funcionamiento</i>	10		

ADVERTENCIA

**LEA Y CUMPLA TODAS LAS NORMAS E INSTRUCCIONES DE SEGURIDAD DE ESTE MANUAL ANTES DE INTENTAR HACER FUNCIONAR ESTA MÁQUINA.
SI NO RESPETA ESTAS INSTRUCCIONES PUEDE PROVOCAR LESIONES PERSONALES.**

NOTA: Este manual del operador abarca varios modelos. Las características técnicas pueden variar según el modelo. No todas las características que se incluyen en este manual se aplican a todos los modelos y el modelo ilustrado puede ser diferente al suyo.

⚠ ADVERTENCIA

⚠ Este símbolo indica instrucciones de seguridad importantes que, de no cumplirse, pueden poner en peligro su seguridad personal y/o material y la de otras personas. Lea y cumpla todas las instrucciones de este manual antes de intentar hacer funcionar esta máquina. Si no cumple estas instrucciones puede provocar lesiones personales. Cuando vea este símbolo. **¡TENGA EN CUENTA LAS ADVERTENCIAS!**

⚠ ADVERTENCIA

Proposición 65 de California

El escape del motor de este vehículo, algunos de sus elementos y ciertos componentes del vehículo contienen o liberan sustancias químicas que el Estado de California considera que pueden producir cáncer, defectos de nacimiento u otros problemas reproductivos.

Los bornes y contactos de la batería y los accesorios afines contienen plomo y compuestos de plomo, sustancias químicas que el Estado de California considera que pueden producir cáncer y daños en el sistema reproductivo. Lávese las manos después de estar en contacto con estos componentes.

⚠ PELIGRO

Esta máquina está diseñada para operar de acuerdo con las normas de seguridad contenidas en este manual. Al igual que con cualquier tipo de máquina eléctrica, un descuido o error por parte del operador puede producir lesiones graves. Esta máquina es capaz de amputar manos y pies y de arrojar objetos. Si no se respetan las siguientes instrucciones de seguridad, se pueden ocasionar lesiones graves o la muerte.

Funcionamiento general

1. Lea, entienda y cumpla todas las instrucciones incluidas en la máquina y en los manuales antes de intentar armarla y hacerla funcionar. Guarde este manual en un lugar seguro para consultas futuras y periódicas, así como para pedir repuestos.
2. Familiarícese con todos los controles y con el uso adecuado de los mismos. Sepa cómo parar la máquina y desactivar los controles rápidamente.
3. No permita nunca que los menores de 14 años utilicen esta máquina. Los niños de 14 años en adelante deben leer y entender las instrucciones de funcionamiento y las normas de seguridad contenidas en este manual y en la máquina y deben estar capacitados y supervisados por un adulto.
4. Nunca permita que los adultos operen esta máquina sin recibir antes la instrucción adecuada.
5. Para tratar de evitar el contacto con las cuchillas o una lesión por un objeto que sea arrojado, mantenga a los observadores, ayudantes, niños y mascotas alejados al menos 75 pies de la máquina mientras está funcionando. Pare la máquina si alguien ingresa al área.
6. Inspeccione minuciosamente el área donde se usará el equipo. Saque todas las piedras, palos, cables, huesos, juguetes y demás objetos extraños que puedan ser recogidos y arrojados por las cuchillas. Los objetos arrojados por la máquina pueden causar lesiones graves.
7. Planifique el patrón de corte, para evitar que la descarga de material se realice hacia los caminos, las veredas, los observadores, etc. Evite además descargar material contra una pared u obstrucción, ya que esto podría hacer que el material descargado rebote contra el operador.
8. Para protegerse los ojos utilice siempre anteojos o antiparras de seguridad mientras hace funcionar la máquina o mientras le hace ajustes o reparaciones. Los objetos arrojados que rebotan pueden lesionar gravemente los ojos.
9. Utilice zapatos de trabajo resistentes, de suela fuerte, así como pantalones y camisas ajustados. Las prendas sueltas y las alhajas

- pueden quedar atrapadas en las piezas móviles. Nunca opere esta máquina descalzo o con sandalias.
10. Esté atento a la dirección de descarga del tractor cortacésped y sus accesorios y no los apunte a nadie. Nunca opere la cortadora de césped sin tener bien colocada la cubierta de descarga o el colector de césped.
11. No ponga las manos ni los pies cerca de las piezas rotatorias ni debajo de la plataforma de corte. El contacto con las cuchillas puede amputar manos y pies.
12. Si la tapa de descarga falta o está dañada puede provocar lesiones por contacto con la cuchilla o con objetos arrojados.
13. Detenga las cuchillas al cruzar sendas, senderos o caminos de grava y cuando no corte césped.
14. Tenga cuidado con el tránsito cuando opere cerca de rutas o al cruzarlas. Esta máquina no está diseñada para ser usada en la vía pública.
15. No haga funcionar la máquina si se encuentra bajo los efectos del alcohol o las drogas.
16. Úsela solamente con luz natural o con buena luz artificial.
17. Nunca lleve pasajeros.
18. Desacople las cuchillas antes de cambiar a marcha atrás. Retroceda lentamente. Siempre mire hacia abajo y hacia atrás antes y mientras retrocede para evitar accidentes.
19. Reduzca la velocidad antes de girar. Haga funcionar la máquina de manera uniforme. Evite que funcione de manera errática y a excesiva velocidad.
20. Desacople las cuchillas, ponga el freno de mano, apague el motor y espere hasta que las cuchillas se detengan por completo antes de retirar el colector de césped, vaciar los recortes, destapar el canal, retirar restos de césped o desechos, o hacer cualquier ajuste.
21. Nunca deje la máquina en funcionamiento sin vigilancia. Siempre desconecte las cuchillas, ponga el freno de mano, detenga el motor y retire la llave antes de desmontar.
22. Tenga mucho cuidado al cargar o descargar la máquina en un remolque o camión. Esta máquina no debe conducirse subiendo o bajando rampas, ya que la máquina podría

- volcar y provocar lesiones personales graves. La máquina se debe empujar a mano en rampas para cargarla o descargarla correctamente.
23. El silenciador y el motor se calientan y pueden causar quemaduras. No los toque.
24. Revise la holgura superior antes de conducir debajo de ramas bajas, cables, aberturas de puertas, etc., donde el operador puede golpearse o ser tirado de la máquina, lo que podría resultar en lesiones graves.
25. Desacople todos los embragues de los complementos, presione a fondo el pedal del freno y cambie a punto muerto antes de intentar arrancar el motor.
26. Su máquina está diseñada para cortar césped residencial normal de una altura no mayor a 10 pulgadas. No intente cortar césped demasiado crecido, seco (como un pastizal) ni pilas de hojas secas. El césped o las hojas secas pueden entrar en contacto con el escape del motor y/o acumularse en la plataforma de corte presentando un potencial peligro de incendio.
27. Utilice solamente accesorios y complementos aprobados por el fabricante para esta máquina. Lea, comprenda y siga todas las instrucciones incluidas con el accesorio o complemento aprobado.
28. Los datos indican que los operadores mayores de 60 años participan de un gran porcentaje de lesiones relacionadas con tractores cortacésped. Estas personas deben evaluar su capacidad para operar el tractor de manera suficientemente segura para protegerse a sí mismos y a otros de lesiones graves.
29. Si se presentan situaciones que no están previstas en este manual, tenga cuidado y use el sentido común. Póngase en contacto con su representante de atención al cliente para obtener ayuda.

Funcionamiento en pendiente

Las pendientes son uno de los principales factores asociados a los accidentes por pérdida de control y vuelcos que pueden producir lesiones graves o la muerte. Todas las pendientes exigen precaución adicional. Si no puede retroceder por la pendiente o si no se siente seguro, no realice ningún corte.

Para su seguridad, use el indicador de pendientes que se adjunta a este manual para medir la pendiente antes de operar la máquina en una zona inclinada. Si la pendiente es de más de 12°, como se muestra en el medidor, no haga funcionar esta máquina en ese sector o podría causar lesiones graves.

Haga lo siguiente:

1. Corte las pendientes hacia arriba y hacia abajo, no en forma transversal. Tenga sumo cuidado al cambiar de dirección en una pendiente.
2. Esté atento a los hoyos, surcos, baches, rocas, y otros objetos ocultos. El terreno desnivelado puede voltear la máquina. El césped alto puede ocultar obstáculos.
3. Conduzca a baja velocidad. Seleccione una velocidad lo suficientemente baja como para que no necesite detenerse o cambiar de marcha estando en pendiente. Los neumáticos pueden perder tracción en las pendientes aún cuando los frenos funcionen correctamente. Siempre mantenga la máquina en cambio mientras desciende una pendiente para poder frenar con el motor.
4. Siga las recomendaciones del fabricante sobre los pesos o contrapesos de las ruedas para mejorar la estabilidad.
5. Tenga mucho cuidado con los colectores de césped y otros complementos. Pueden modificar la estabilidad de la máquina.
6. Todos los movimientos en las pendientes deben ser lentos y graduales. No haga cambios bruscos de velocidad o dirección. Hacer un cambio o frenar repentinamente puede hacer que el frente de la máquina se levante y vuelque rápidamente hacia atrás dando lugar a lesiones graves.
7. Evite arrancar o parar en una pendiente. Si las ruedas pierden tracción, desacople las cuchillas y descienda la pendiente lentamente.

No haga lo siguiente:

1. No gire en pendiente a menos que sea necesario; si lo hace, gire lenta y gradualmente cuesta abajo, si es posible.
2. No corte el césped cerca de declives, zanjas o terraplenes. La cortadora puede volcarse repentinamente si una de las ruedas pasa el borde de un acantilado o zanja o si se desmorona un borde.
3. No intente estabilizar la máquina poniendo el pie en el suelo.
4. No utilice colector de césped en pendientes empinadas.
5. No corte el césped húmedo. La falta de tracción puede hacer que patine.
6. No cambie a punto muerto para bajar por inercia. El exceso de velocidad puede hacer que el operador pierda el control de la máquina y se produzcan lesiones graves o la muerte.
7. No remolque complementos de arrastrar pesados (como carrito de basura cargado, podadora de rodillos, etc.) en pendientes de más de 5°. Cuando se desplaza cuesta abajo, el peso adicional tiende a empujar el tractor y puede hacerle perder el control (por ejemplo, el tractor se puede acelerar, la capacidad de conducir y frenar se reducen, el complemento puede acodillarse y hacer que el tractor vuelque).

Niños

1. Pueden ocurrir accidentes trágicos si el operador no está atento a la presencia de niños. Por lo general, los niños se sienten atraídos por la máquina y su actividad. Los niños no entienden los peligros. Nunca suponga que los niños permanecerán en el lugar donde los vio por última vez.
 - a. Mantenga a los niños fuera del área de corte y bajo estricta vigilancia de un adulto responsable además del operador.

- b. Esté alerta y apague la máquina si un niño ingresa al área.
 - c. Antes de desplazarse marcha atrás y mientras lo hace, mire hacia atrás y abajo para ver que no haya niños.
 - d. Nunca transporte niños, ni siquiera con las cuchillas desactivadas. Podrían caerse y resultar gravemente heridos o interferir con la operación segura de la máquina.
 - e. Tenga mucho cuidado al aproximarse a las esquinas ciegas, puertas, arbustos, árboles u otros objetos que puedan obstaculizarle la vista de un niño que pudiese correr al encuentro de la máquina.
 - f. Para evitar accidentes retrocediendo, siempre desacople las cuchillas antes de cambiar a marcha atrás. Si está equipado, el "Modo de marcha atrás con precaución" no se debe usar cuando hay niños y otras personas alrededor.
 - g. Mantenga a los niños alejados de los motores en marcha o calientes. Pueden sufrir quemaduras con un silenciador caliente.
 - h. Retire la llave cuando la máquina queda sin vigilancia para evitar el funcionamiento no autorizado.
2. No permita nunca que los menores de 14 años utilicen esta máquina. Los niños de 14 años en adelante deben leer y entender las instrucciones de funcionamiento y las normas de seguridad contenidas en este manual y en la máquina y deben estar capacitados y supervisados por un adulto.

Remolque

1. Remolque únicamente con una máquina que tenga un enganche diseñado para remolcar. No acople equipo remolcado excepto en el punto de enganche.
2. Siga las recomendaciones del fabricante en lo que respecta a los límites de peso de los equipos a remolcar y al remolque en pendientes.
3. Nunca permita que los niños y otras personas se suban a equipos remolcados.
4. En las pendientes, el peso del equipo remolcado puede causar pérdida de tracción y pérdida de control.
5. Siempre tenga mucho cuidado al remolcar con una máquina capaz de hacer giros cerrados (por ejemplo, tractor cortacésped con radio de giro cero). Realice giros amplios para el acodillamiento.
6. Desplácese lentamente y deje distancia adicional para detenerse.
7. No cambie a punto muerto para bajar por inercia.

Servicio

Manejo seguro de la gasolina:

1. Para evitar lesiones personales o daños materiales tenga mucho cuidado al manipular la gasolina. **La gasolina es sumamente inflamable y sus vapores son explosivos.** Si se derrama gasolina sobre el cuerpo o la ropa se puede lesionar gravemente ya que podría prenderse fuego. Lávese la piel y cámbiese de ropa de inmediato.
 - a. Utilice sólo recipientes para gasolina autorizados.
 - b. Nunca llene los recipientes dentro de un vehículo o de un camión o remolque con recubrimiento plástico. Coloque siempre los recipientes en el piso y lejos del vehículo antes de llenarlos.

- c. Cuando sea posible, saque el equipo a gasolina del camión o remolque y llénelo sobre el suelo. Si eso no es posible, llene el equipo en un remolque con un recipiente portátil, en lugar de hacerlo desde la boquilla del surtidor de gasolina.
- d. Mantenga la boquilla en contacto con el borde del tanque de combustible o con la abertura del recipiente en todo momento, hasta terminar de cargar. No utilice un dispositivo para mantener abierta la boquilla.
- e. Apague todos los cigarrillos, cigarros, pipas y otras fuentes de combustión.
- f. Nunca cargue combustible en la máquina en interiores.
- g. Nunca saque el tapón del combustible ni agregue combustible mientras el motor está caliente o en marcha. Deje que el motor se enfríe por lo menos dos minutos antes de cargar combustible.
- h. Nunca llene en exceso el tanque de combustible. Llene el tanque no más de ½ pulgada por debajo de la base del cuello de llenado para dejar espacio para la expansión del combustible.
- i. Vuelva a colocar el tapón de combustible y ajústelo bien.
- j. Limpie el combustible que se haya derramado sobre el motor y el equipo. Traslade la máquina a otra zona. Espere 5 minutos antes de arrancar el motor.
- k. Para reducir el riesgo de incendio, mantenga la máquina limpia de pasto, hojas y residuos acumulados. Limpie los derrames de aceite o combustible y retire todos los residuos impregnados de combustible.
- l. Nunca guarde la máquina o el recipiente de combustible en un espacio cerrado donde haya una llama expuesta, chispas o llama piloto, como por ejemplo de calentadores de agua, calefactores de ambientes, hornos, secadores de ropa y otros aparatos a gas.
- m. Deje que la máquina se enfríe por lo menos cinco minutos antes de guardarla.

Servicio general

1. Nunca haga funcionar el motor en espacios cerrados o en un lugar poco ventilado. El escape del motor contiene monóxido de carbono, un gas inodoro y letal.
2. Antes de limpiar, reparar o inspeccionar la máquina, compruebe que las cuchillas y todas las piezas móviles se hayan detenido. Desconecte el cable de la bujía y póngalo haciendo masa contra el motor para evitar que se encienda accidentalmente.
3. Controle periódicamente para asegurarse que las cuchillas se detienen completamente aproximadamente cinco (5) segundos después de accionar el control de desacople. Si las cuchillas no se detienen dentro de este lapso de tiempo, su unidad deberá ser reparada por su distribuidor de servicio autorizado MTD.
4. Controle el funcionamiento de los frenos con frecuencia, ya que está sujeto a desgaste durante el funcionamiento normal. Realice los ajustes y el mantenimiento necesario.

5. Controle las cuchillas y los pernos de montaje del motor a intervalos frecuentes para verificar que estén bien apretados. Además, inspeccione visualmente las cuchillas buscando daño (por ejemplo: desgaste excesivo, abolladuras, rajaduras). Reemplace las cuchillas únicamente por cuchillas de los fabricantes del equipo original (O.E.M.) listados en este manual. "El uso de piezas que no cumplen con las especificaciones del equipo original podría resultar en rendimiento inadecuado y además puede comprometer la seguridad."
6. Las cuchillas de la cortadora son filosas. Envuelva la cuchilla o utilice guantes y extreme las precauciones cuando les haga mantenimiento.
7. Mantenga todos los pernos, tuercas y tornillos bien ajustados para asegurarse de que la máquina se encuentra en buenas condiciones de funcionamiento.
8. Nunca altere el sistema de enclavamiento de seguridad u otros dispositivos de seguridad. Controle periódicamente que funcionen correctamente.
9. Después de golpear algún objeto extraño, detenga el motor, desconecte los cables de la bujía y conéctelo a tierra con el motor. Inspeccione minuciosamente la máquina para ver si está dañada. Repare el daño antes de volver a arrancar y operar la máquina.
10. Nunca intente hacer ajustes o arreglos con el motor en marcha.
11. Los componentes del colector de césped y la cubierta de descarga están sujetos a desgaste y daños que podrían dejar expuestas piezas móviles o permitir que se arrojen objetos. Para proteger su seguridad, verifique frecuentemente todos los componentes y reemplácelos inmediatamente sólo por repuestos de los fabricantes del equipo original (O.E.M.) listados en este manual.

"El uso de piezas que no cumplen con las especificaciones del equipo original podría resultar en rendimiento inadecuado y además puede comprometer la seguridad."

12. No cambie la configuración del regulador del motor ni acelere demasiado el motor. El regulador controla la velocidad máxima de óptimo funcionamiento del motor.
13. Mantenga o reemplace las etiquetas de seguridad y de instrucciones según sea necesario.
14. Cumpla con las normas y reglamentaciones sobre la manera de eliminar gasolina, aceite, etc. para proteger el medio ambiente.
15. Según la Comisión de Seguridad de Productos para el Consumidor de los EE.UU. (CPSC) y la Agencia de Protección Ambiental de los EE.UU. (EPA), este producto tiene una *vida útil media* de siete (7) años o 270 horas de funcionamiento. Al finalizar la *vida útil media* haga inspeccionar anualmente esta unidad por un distribuidor de servicio autorizado para cerciorarse de que todos los sistemas mecánicos y de seguridad funcionan correctamente y no tienen excesivo desgaste. Si no lo hace, puede ocasionar accidentes, lesiones o la muerte.

No modifique el motor

Para evitar lesiones graves o la muerte, no modifique el motor de ninguna manera. Si altera los ajustes del regulador, el motor se puede desbocar y funcionar a velocidades inseguras. Nunca altere los ajustes de fábrica del regulador del motor.

Aviso sobre las Emisiones

Los motores certificados que cumplen con las normas sobre emisiones federales de la EPA y de California para SORE (Equipos pequeños todo terreno) pueden funcionar con gasolina sin plomo común y pueden incluir los siguientes sistemas de control de emisiones: Modificación del motor (EM), catalizador oxidante (OC), inyección de aire secundaria (SAI) y catalizador de tres vías (TWC) si están instalados.

Cuando sea necesario, los modelos están equipados con líneas de combustible y tanques de combustible de baja penetración para controlar las emisiones por evaporación. Los modelos para California también pueden incluir un filtro de carbón. Por favor, póngase en contacto con Atención al cliente para obtener información sobre la configuración del control de emisiones por evaporación para su modelo.

Amortiguador de Chispas

⚠ ADVERTENCIA















Esta máquina está equipada con un motor de combustión interno y no debe ser utilizada en o cerca de un terreno agreste cubierto por bosque, malezas o hierba excepto que el sistema de escape del motor esté equipado con un amortiguador de chispas que cumpla con las leyes locales o estatales correspondientes (en caso de existir).

Si se utiliza un amortiguador de chispas el operador lo debe mantener en buenas condiciones de uso. En el Estado de California, las medidas anteriormente mencionadas son exigidas por ley (Artículo 4442 del Código de Recursos Públicos de California). Es posible que existan leyes similares en otros estados. Las leyes federales se aplican en los territorios federales. Puede conseguir el amortiguador de chispas para el silenciador a través de su distribuidor autorizado de motores más cercano o poniéndose en contacto con el departamento de servicios, P.O. Box 361131 Cleveland, Ohio 44136-0019.

Símbolos de Seguridad

En esta página se muestran y describen los símbolos de seguridad que pueden aparecer en este producto. Lea, comprenda y siga todas las instrucciones incluidas con la máquina antes de intentar armarla y hacerla funcionar.

Símbolo	Descripción
	LEA LOS MANUALES DEL OPERADOR Lea, entienda y siga todas las instrucciones incluidas en los manuales antes de intentar armar y hacer funcionar.
	PELIGRO — CUCHILLAS GIRATORIAS Nunca lleve pasajeros. Nunca transporte niños, ni siquiera después de haber desconectado las cuchillas.
	PELIGRO — CUCHILLAS GIRATORIAS Para evitar que se produzca un accidente mientras retrocede, mantenga a los niños alejados de la máquina mientras esté en funcionamiento. No se recomienda cortar el césped en marcha atrás.
	ADVERTENCIA— CUCHILLAS GIRATORIAS No coloque las manos ni los pies cerca de piezas que giran ni debajo de la plataforma de corte. El contacto con las cuchillas puede amputar manos y pies. Asegúrese que las cuchillas y el motor se detengan antes de colocar las manos o los pies cerca de las cuchillas.
	PELIGRO— CUCHILLAS GIRATORIAS Siempre mire hacia abajo y hacia atrás antes y mientras se desplaza marcha atrás, para evitar un accidente.

Símbolo	Descripción
	PELIGRO — OBSERVADORES Mantenga a los observadores, ayudantes, mascotas y niños por lo menos a 75 pies de la máquina mientras está en funcionamiento.
	ADVERTENCIA—ARROJA OBJETOS Esta máquina puede levantar y arrojar objetos lo cual puede causar lesiones personales graves.
	ADVERTENCIA—ARROJA OBJETOS Esta máquina puede levantar y arrojar objetos lo cual puede causar lesiones personales graves.
	ADVERTENCIA — OPERACIÓN EN PENDIENTES Recorra las pendientes hacia arriba y hacia abajo, no de manera transversal.
	ADVERTENCIA — OPERACIÓN EN PENDIENTES Tenga más precaución en las pendientes. No corte el césped en pendientes que superen los 12°. Si la máquina se para mientras sube la pendiente, pare las cuchillas y retroceda lentamente para abajo.
	ADVERTENCIA - OPERACIÓN EN PENDIENTES No utilice esta unidad en lugares donde podría resbalar o volcar. Evite realizar giros abruptos. Conduzca a baja velocidad.
	PELIGRO— GUARDAS, PROTECCIONES, INTERRUPTORES, ETC. Mantenga los dispositivos de seguridad (guardas, protecciones, interruptores, etc.) en su lugar y operativos.
	ADVERTENCIA—LA MÁQUINA ESTÁ CALIENTE Deje que el motor se enfríe por lo menos dos minutos antes de volver a cargar combustible o almacenar.
	ADVERTENCIA— ESTE EQUIPO PUEDE GENERAR CHISPAS El funcionamiento de este equipo puede crear chispas que pueden iniciar incendios alrededor de vegetación seca No conduzca sobre pilas de hojas secas o pasto alto seco (Máx. 10"). Mantenga la máquina libre de residuos.
	ADVERTENCIA— SUPERFICIE CALIENTE Las piezas del motor, especialmente el silenciador, se recalientan durante la operación. Deje que el motor y el silenciador se enfríen antes de tocarlos.
	PELIGRO — CUCHILLAS GIRATORIAS Para reducir el riesgo de lesiones, mantenga manos y pies alejados. No haga funcionar sin que la tapa de descarga o el colector de césped se encuentren en su lugar. Si están dañados, reemplácelos inmediatamente.
	ADVERTENCIA— ESTE EQUIPO PUEDE GENERAR CHISPAS El funcionamiento de este equipo puede crear chispas que pueden iniciar incendios alrededor de vegetación seca Puede requerirse un parachispas. El operador debe comunicarse con las agencias locales de prevención de incendios para conocer las leyes y normativas relativas a los requerimientos para la prevención de incendios.
	ADVERTENCIA — MONÓXIDO DE CARBONO Nunca haga funcionar el motor en espacios cerrados o en un lugar poco ventilado. El escape del motor contiene monóxido de carbono, un gas inodoro y letal.
	PELIGRO — CUCHILLAS GIRATORIAS No se pare sobre la plataforma de corte.

⚠ ADVERTENCIA

Su responsabilidad—Limite el uso de esta máquina motorizada a las personas que lean, comprendan y respeten las advertencias e instrucciones que figuran en este manual y en la máquina.

¡GUARDE ESTAS INSTRUCCIONES!

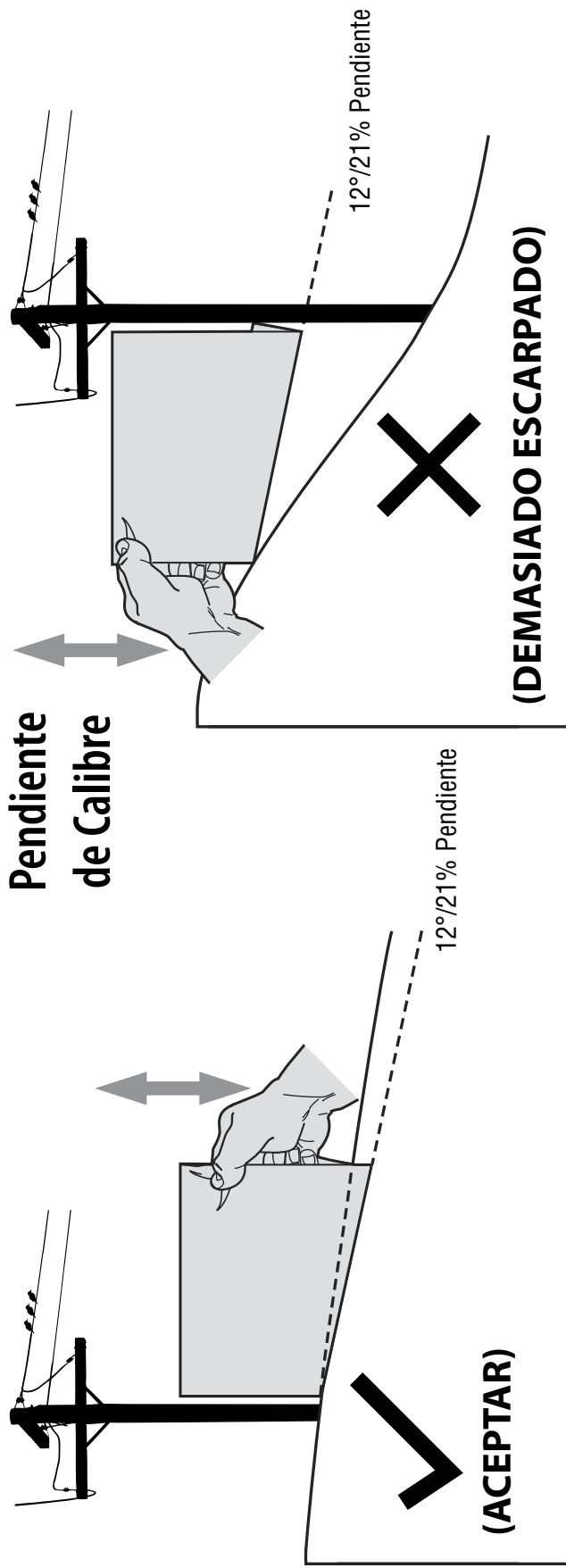
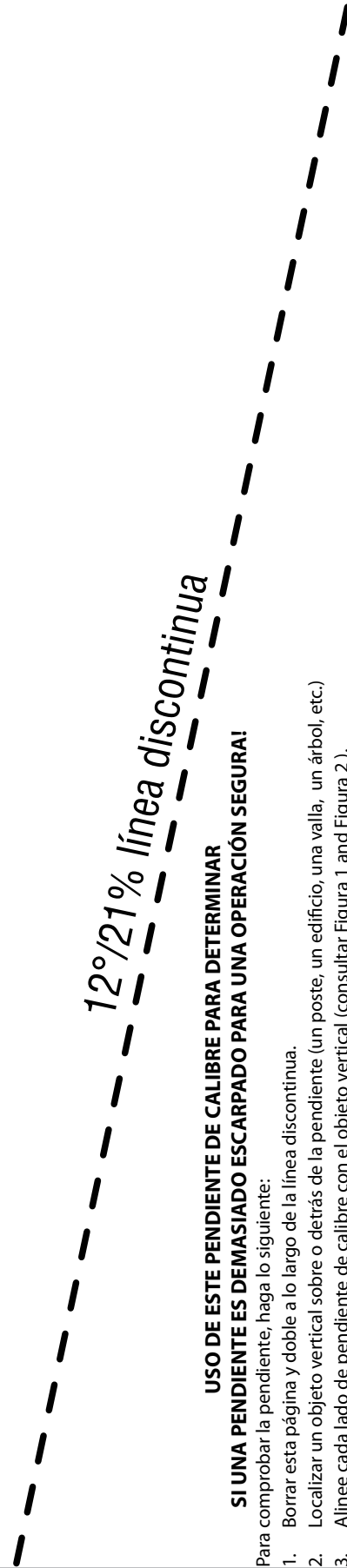


Figura 1

Figura 2

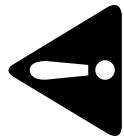


USO DE ESTE PENDIENTE DE CALIBRE PARA DETERMINAR

SI UNA PENDIENTE ES DEMASIADO ESCARPADO PARA UNA OPERACIÓN SEGURA!

Para comprobar la pendiente, haga lo siguiente:

1. Borrar esta página y doble a lo largo de la línea discontinua.
2. Localizar un objeto vertical sobre o detrás de la pendiente (un poste, un edificio, una valla, un árbol, etc.)
3. Alinee cada lado de pendiente de calibre con el objeto vertical (consultar Figura 1 and Figura 2).
4. Ajuste el pendiente de calibre arriba o hacia abajo hasta los toques esquina izquierda el pendiente (consultar Figura 1 and Figura 2).
5. Si hay un espacio por debajo de la pendiente de calibre, el pendiente es demasiado escarpa por operación segura (consultar Figura 2 above).



¡ADVERTENCIA! Las pendientes son uno de los principales factores asociados a los accidentes por tumbos y vuelcos que pueden producir lesiones graves o la muerte.

No use la máquina en pendientes de más de 12%/21%. Todas las pendientes exigen precaución adicional. Si no puede retroceder por la pendiente o si no se siente seguro, no realice ningún corte. Siempre corte hacia arriba y hacia abajo de las pendientes, nunca de manera transversal.

Gracias por comprar este producto. Ha sido cuidadosamente diseñado para brindar excelente rendimiento si se lo hace funcionar y se lo mantiene correctamente.

Por favor lea todo este manual antes de hacer funcionar el equipo. El manual le indica cómo ensamblar, utilizar y mantener la máquina de manera fácil y segura. Por favor asegúrese de que usted, y cualquier otra persona que utilice la máquina, siga atentamente y en todo momento las medidas de seguridad recomendadas. De lo contrario, podría ocasionar lesiones personales o daños materiales.

Toda la información contenida en este manual hace referencia a la información más reciente sobre el producto que está disponible al momento. Revise el manual frecuentemente para familiarizarse con la máquina, sus características y su funcionamiento. Por favor tenga en cuenta que este Manual del Operador puede abarcar diferentes especificaciones de producto para diversos modelos. Es posible que las características y funciones incluidas y/o ilustradas en este manual no se apliquen a todos los modelos. Nos reservamos el derecho de modificar las especificaciones de los productos, los diseños y los equipos sin previo aviso y sin generar responsabilidad por obligaciones de ningún tipo.

Si corresponde, la información sobre las pruebas de potencia utilizadas para determinar la potencia nominal del motor equipado en esta máquina se puede consultar en www.opei.org o en el sitio web del fabricante del motor.

Si tiene algún problema o duda con respecto a esta máquina, llame a su distribuidor de servicio local autorizado o póngase en contacto directamente con nosotros. Queremos garantizar su entera satisfacción en todo momento.

En este manual, todas las referencias al lado *derecho* o *izquierdo* de la máquina se hacen observándola desde la posición de operación.

Contenido de la caja

- | | | |
|---|--|---|
| <ul style="list-style-type: none">• Tractor cortacésped (1)• Conjunto de volante/eje (1)• Tapa trasera del motor (1) †• Tapa de pedestal de dirección (1)• Paragolpes delantero (1) † | <ul style="list-style-type: none">• Manual del Operador (1)• Placa de enganche trasera (1)• Manga de drenaje de aceite (1)• Conjunto de canal de descarga (1)• Paquete de herrajes (1) | <ul style="list-style-type: none">• Manual del Operador del Motor (1)• Conjunto de asiento (1)• Sifón de aceite (1) †• Adaptador para abono (1) †• Tarjeta para registrar el producto (1) |
|---|--|---|

† — Si está equipado

Nota: Este manual del operador abarca varios modelos. Las características técnicas del tractor cortacésped pueden variar según los modelos. No todas las características técnicas en este manual se aplican a todos los modelos de tractor cortacésped y el tractor cortacésped que se ilustra aquí puede diferir del suyo.

Nota: Todas las referencias que contiene este manual sobre los lados derecho o izquierdo y trasero o delantero del tractor cortacésped se hacen siempre desde la posición de operación. Las excepciones, si las hubiere, serán especificadas.

Nota: Algunos componentes pueden venir ya ensamblados. Si ya están ensamblados, pase directamente al paso siguiente.

Contenido del paquete de herrajes

Antes de comenzar la instalación, extraiga todo el contenido de la caja y todos los herrajes del paquete para comprobar que no falte nada. Los herrajes se detallan a continuación.

- Placa de enganche
- Soporte de montaje del asiento (con dos pernos con reborde y tuercas de sujeción instalados)

Herramientas recomendadas para el montaje

- Llave y/o llave de cubo de 3/8"
- Llave y/o llave de cubo de 1/2"
- Llave y/o llave de cubo de 7/16"
- Llave y/o llave de cubo de 9/16"
- Destornillador Phillips
- Llave de trinquete de 1/4"

Movimiento manual del tractor

En unidades de 6 velocidades, mueva la palanca de cambios a NEUTRAL (punto muerto). En las unidades Hydro (hidrostáticas), use la varilla de derivación de la transmisión y prosiga con el paso 1.

1. Acople las varillas de derivación de la transmisión para mover el tractor manualmente sin ponerlo en marcha. La varilla de derivación de la transmisión está ubicada en el interior del neumático derecho, cerca de la parte posterior del tractor. Acople la varilla de derivación tirando hacia afuera y hacia abajo. Consulte la Figura 2-1.

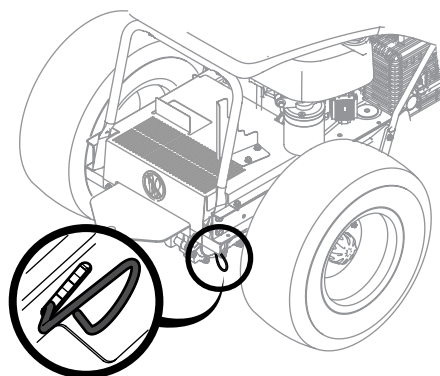


Figura 2-1

Nota: Si el tractor no se mueve o no se mueve libremente al empujarlo, compruebe si la palanca de derivación está completamente abierta o si el freno está activado.

Nota: La transmisión NO se engancha cuando la varilla de derivación hidrostática se tira hacia fuera. Regrese la varilla a su posición normal antes de operar el tractor. Si el tractor no se mueve al presionar sobre los pedales de avance/retroceso, o se mueve lentamente, compruebe que la válvula de derivación esté activa.

⚠ PRECAUCIÓN

Nunca remolque su tractor. Si se remolca el tractor con las ruedas traseras apoyadas en el suelo, se pueden causar daños graves a la transmisión.

2. Después de mover el tractor, desacople la varilla de derivación levantándola y dejando que se vuelva a mover hacia adentro. Consulte la Figura 2-1.

Instalación del conjunto del volante

Si el conjunto del volante del tractor cortacésped no vino ya instalado, siga los pasos a continuación:

3. Deslice la tapa del pedestal (a) sobre el eje de la dirección (b) de manera que dicho eje (b) se instale en el tractor cortacésped, la tapa del pedestal (a) quedará vertical como se indica en la Figura 2-2.

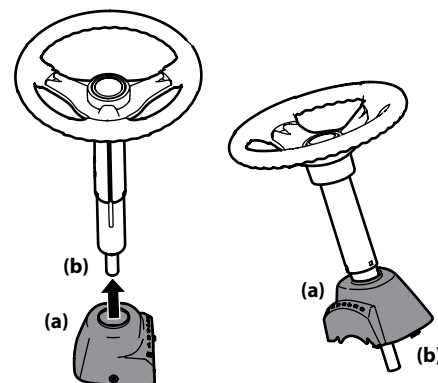


Figura 2-2

4. Extraiga el perno con reborde y la tuerca de seguridad del eje de la dirección y guárdelos para los pasos posteriores.
5. Con el conjunto del volante vertical y ubicado de manera que quede sobre el eje de la dirección inferior del tractor cortacésped, se debe alinear el volante de manera que con las ruedas del tractor cortacésped derechas, la abertura grande del volante esté orientada hacia adelante.

- Baje el conjunto del volante (a) sobre el eje inferior de la dirección (b) y sujételo con el tornillo con reborde (c) y la tuerca de seguridad (d) que extrajo previamente. Consulte la Figura 2-3.

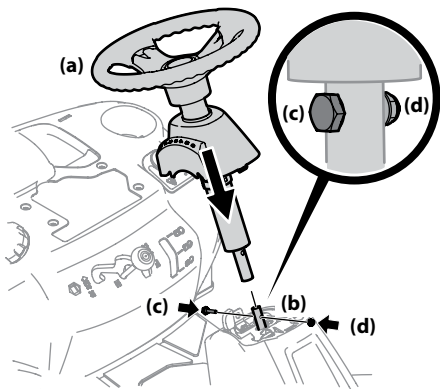


Figura 2-3

- Ajuste el perno con reborde y la tuerca de seguridad usando la llave o la llave de cubo de $\frac{9}{16}$ " y la llave o la llave de cubo de $\frac{1}{16}$ ".
- Extraiga el tornillo de montaje de la tapa del pedestal instalado en fábrica y ubicado en la consola de dirección del tractor cortacésped. Guarde el tornillo para uso posterior.
- Deslice la tapa del pedestal (a) hacia abajo sobre el tractor cortacésped y rótelala ligeramente a la derecha para calzarla en su lugar. Sujete la tapa del pedestal (a) con el tornillo (b) que extrajo antes. Consulte la Figura 2-4.

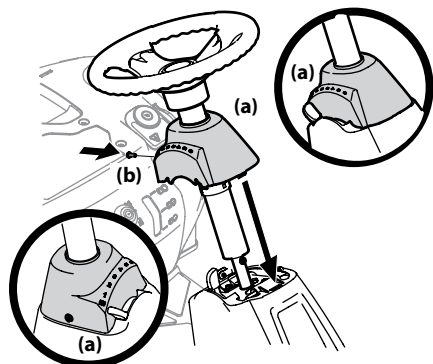


Figura 2-4

Instalación del asiento

Si el asiento de su tractor cortacésped no viene instalado de fábrica, siga las instrucciones correspondientes que se incluyen a continuación para instalarlo.

- Extraiga los pernos con reborde (a) y las tuercas de seguridad (b) del soporte de montaje del asiento (c) incluido en el paquete de herrajes. Consulte la Figura 2-5.

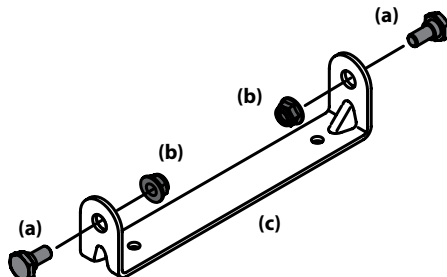


Figura 2-5

- Extraiga los dos tornillos autorroscantes (a) instalados en fábrica en el tractor cortacésped. Consulte la Figura 2-6.

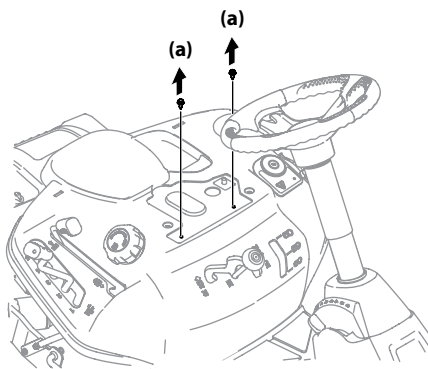


Figura 2-6

- Alinee el soporte del asiento (a) en su lugar sobre los orificios de los pernos autorroscantes (b) que extrajeron, como se indica en la Figura 2-7.

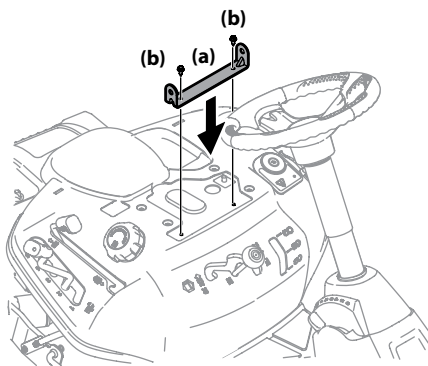


Figura 2-7

- Con una llave de trinquete de $\frac{1}{4}$ " con una llave de $\frac{3}{8}$ ", sujete el soporte del asiento (a) con los pernos autorroscantes (b) que se extrajeron en el paso 2. Consulte la Figura 2-7.

PRECAUCIÓN

No use ninguna herramienta eléctrica (por ejemplo, pistola de impacto o taladro eléctrico con el extractor de tuercas colocado) para apretar los pernos autorroscantes para sujetar el soporte del asiento.

- Ubique el conjunto del asiento sobre el soporte de montaje del asiento, alineando los orificios suministrados.
- Instale los dos pernos con reborde (a) y las tuercas de seguridad (b) que extrajo del soporte de montaje del asiento (c) en el Paso 1. Consulte la Figura 2-8.

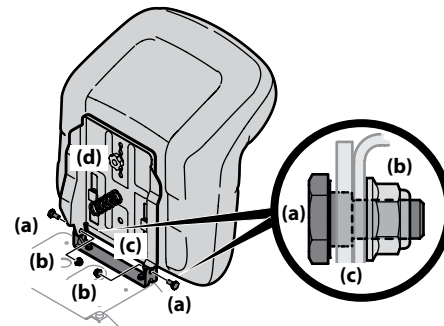


Figura 2-8

Nota: Compruebe que el reborde del perno quede completamente embutido en el soporte del asiento cuando sujete la tuerca de seguridad.

- Para ajustar la posición del asiento, extraiga la perilla de ajuste (d) que está ubicada en la parte inferior del asiento. Deslice el asiento hacia adelante o hacia atrás, según lo desee. Vuelva a ajustar el perno de ajuste (d). Consulte la Figura 2-8.

Instalación del canal de la plataforma

ADVERTENCIA

Nunca opere este tractor cortacésped si no tiene colocados el adaptador para abono o el canal de la plataforma instalado.

- Extraiga las perillas de aleta (a) que se instalaron en la plataforma de corte y consérvelas para colocarlas posteriormente. Consulte la Figura 2-9.

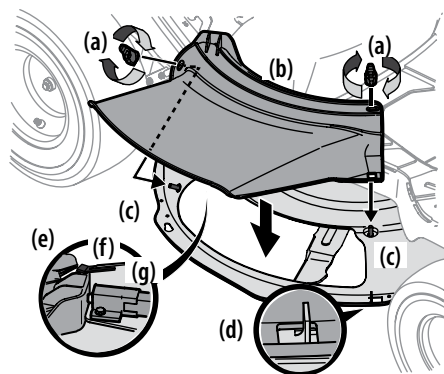


Figura 2-9

- Coloque el canal de la plataforma (b) en la abertura de descarga sobre la plataforma. Los espárragos (c) en la superficie de la plataforma calzarán en los orificios de la parte superior del canal de la plataforma (b). La pequeña lengüeta (d) del borde de la plataforma calzará en el recorte cuadrado de la parte inferior del canal de la plataforma (b). Consulte la Figura 2-9.

Nota: Compruebe que la parte superior-trasera del canal de la plataforma (b) esté oprimiendo el interruptor de seguridad (e) que está ubicado en la superficie de la plataforma. El motor no arranca si el canal de la plataforma (b) no está correctamente ubicado en su lugar.

- Sujete el canal de la plataforma (b) ajustando las perillas de aleta (a) que se extrajeron en el paso 1. Consulte la Figura 2-9.

Identificación del adaptador para abono (si está equipado)

⚠ ADVERTENCIA

Nunca opere este tractor cortacésped si no tiene colocados el adaptador para abono o el canal de la plataforma instalado.

- Extraiga las perillas de aleta (a) que se instalaron en la plataforma de corte y consérvelas para colocarlas posteriormente. Consulte la Figura 2-10.

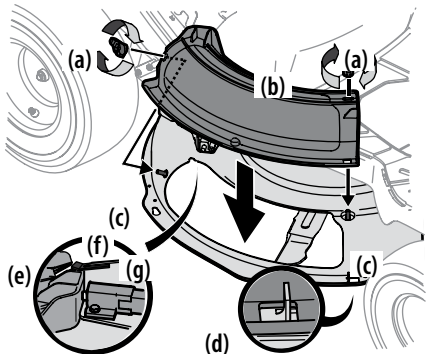


Figura 2-10

- Coloque el adaptador para abono (b) en la abertura de descarga de la plataforma. Los espárragos (c) en la superficie de la plataforma calzarán en los orificios de la parte superior del adaptador para abono (b). La pequeña lengüeta (d) del borde de la plataforma calzará en el recorte cuadrado de la parte inferior del adaptador para abono (b). Consulte la Figura 2-10.

Nota: Compruebe que la parte superior-trasera del adaptador para abono (b) esté oprimiendo el interruptor de seguridad (e) que está ubicado en la superficie de la plataforma. El motor no arranca si el adaptador para abono (b) no está correctamente ubicado en su lugar.

- Sujete el adaptador para abono (b) ajustando las perillas de aleta (a) que se extrajeron en el paso 1.

Coloque la tapa trasera del motor (si está equipada)

- Extraiga los dos tornillos hexagonales instalados en fábrica (a) que están ubicados en la tapa trasera del motor (b). Guarde los tornillos hexagonales (a) para uso posterior. Consulte la Figura 2-11.

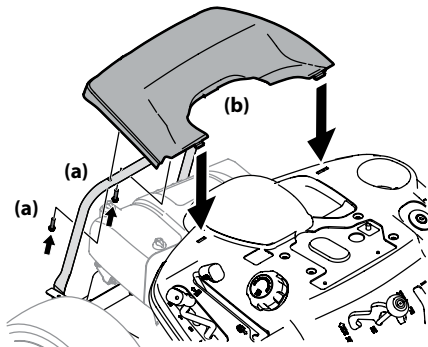


Figura 2-11

- Coloque la tapa trasera del motor (b) ubicándola en su lugar como se indica en la Figura 2-11. Incline la tapa trasera del motor (b) hacia adelante para que calce dentro de las ranuras provistas, luego rótelas hacia atrás para alinear los orificios de montaje.
- Sujete la tapa trasera del motor (b) con los dos tornillos hexagonales (a) que se extrajeron en el Paso 1. No ajuste demasiado.

Instalación de la placa de enganche

- Deslice la placa de enganche (a) entre el marco (b) y la cubierta trasera (c) de su jinete. Vea Figura 2-12.

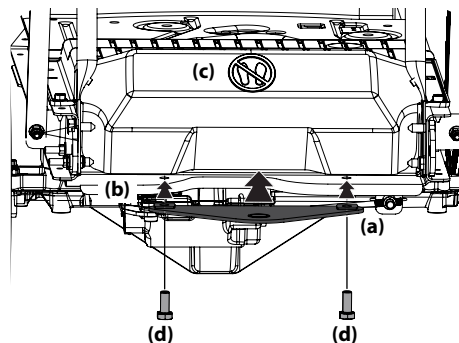


Figura 2-12

- Cuando los orificios de la placa de enganche (a) y del bastidor (b) estén alineados, instale los dos tornillos hexagonales (d) a través del bastidor (b) y en la placa de enganche (a). Vea Figura 2-12.
- Apretete firmemente los tornillos hexagonales (d).

Colocación del paragolpes (Si está equipado)

- Extraiga los dos tornillos (a) como se indica en la Figura 2-13.

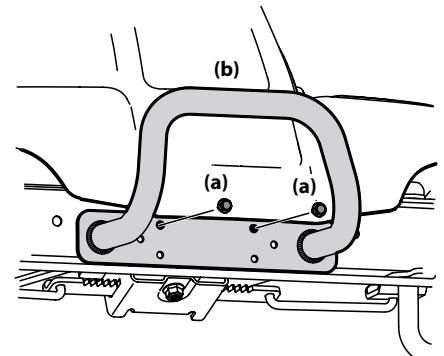


Figura 2-13

- Ubique el paragolpes (b) sobre los orificios de montaje y sujete con los tornillos (a) que extrajo en el Paso 1. Consulte la Figura 2-13.

Conexión de los cables de la batería

⚠ ADVERTENCIA

Advertencia de la Proposición 65 de California: Los bornes y contactos de la batería y los accesorios afines contienen plomo y compuestos de plomo, sustancias químicas que el Estado de California considera que pueden producir cáncer y daños en el sistema reproductivo. Lávese las manos después de estar en contacto con estos componentes.

⚠ PRECAUCIÓN

Cuando coloque los cables de la batería, conecte siempre primero el cable POSITIVO (rojo) a su borne, y a continuación el cable NEGATIVO (negro).

Por razones relacionadas con el envío, los dos cables de la batería de su equipo se pueden haber dejado desconectados de los terminales en fábrica. Para conectar los cables de la batería, proceda de la siguiente manera:

Nota: El borne positivo de la batería está marcado como POS. (+). El borne negativo de la batería está marcado como NEG. (-).

- Extraiga los pernos hexagonales instalados en fábrica (a) ubicados en el extremo del arnés de cables. Guarde los herrajes para uso posterior. Consulte la Figura 2-14.

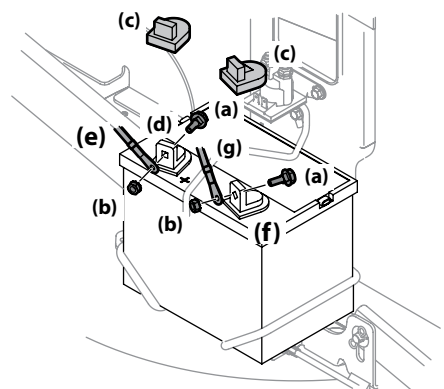


Figura 2-14

- Retire la cubierta plástica (c), si está presente, del borne positivo de la batería (d) y una el cable rojo (e) al borne positivo de la batería (b) utilizando uno de los pernos hexagonales (a) y las tuercas Sems (b) que se extrajeron en el paso 1. Llave y/o llave de cubo de 7/16". Consulte la Figura 2-14.
- Retire la cubierta plástica (c), si está presente, del borne negativo de la batería (f) y una el cable negro (g) al borne negativo de la batería (f) utilizando el perno hexagonal restante (a) y la tuerca Sems (b). Consulte la Figura 2-14.
- Coloque el capuchón de caucho rojo por encima del borne positivo de la batería (d) para protegerlo contra la corrosión.

Nota: Si la batería se pone en funcionamiento después de la fecha indicada en la parte superior o al costado de la misma, cárguela siguiendo las instrucciones de la sección Cuidado del producto antes de hacer funcionar el tractor cortacésped.

Presión de los neumáticos

⚠ ADVERTENCIA

Se debe mantener una presión uniforme para todos los neumáticos en todo momento. Nunca exceda la presión máxima de inflado que se indica en los laterales de los neumáticos.

La presión operativa recomendada para los neumáticos es:

- Aproximadamente 10 psi para los neumáticos traseros
- Aproximadamente 14 psi para los neumáticos delanteros

Importante: Consulte los laterales de las ruedas para conocer con exactitud la presión máxima en psi recomendada por el fabricante. No los infle en exceso. Una presión de neumáticos despareja podría hacer que la plataforma no corte el césped parejo.

Llenado de gasolina y aceite

El depósito de gasolina está debajo del lado izquierdo del asiento en los modelos con plataforma de 30" y en el motor en los modelos con plataforma de 24". No lo llene en exceso.

⚠ ADVERTENCIA

Tenga mucho cuidado al trabajar con gasolina. La gasolina es sumamente inflamable y sus vapores son explosivos. Nunca cargue combustible en la máquina en un espacio cerrado o cuando el motor está caliente o en marcha. Apague cigarrillos, cigarros, pipas y otras fuentes de combustión.

Importante: Su tractor cortacésped se envía sin gasolina ni aceite en el motor. Sin embargo, usted DEBE controlar el nivel de aceite antes de hacerlo funcionar. Tenga cuidado de no llenar en exceso.

Mantenga y controle el aceite del motor como se indica en el Manual del operador del motor que se envía con el tractor cortacésped. Lea las instrucciones con atención.

Importante: Es importante NO llenar a tope el depósito de combustible al llenarlo. Debe dejar un área de expansión disponible dentro del depósito de combustible para permitir que el combustible se expanda y que haya una ventilación adecuada. De lo contrario, es posible que la unidad no funcione adecuadamente. Llene el depósito en los modelos de plataforma de 30" de conformidad con la Figura 2-15, para los modelos de plataforma de 24" consulte el Manual del Operador del motor.

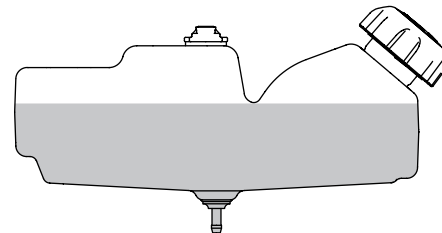


Figura 2-15

Notas

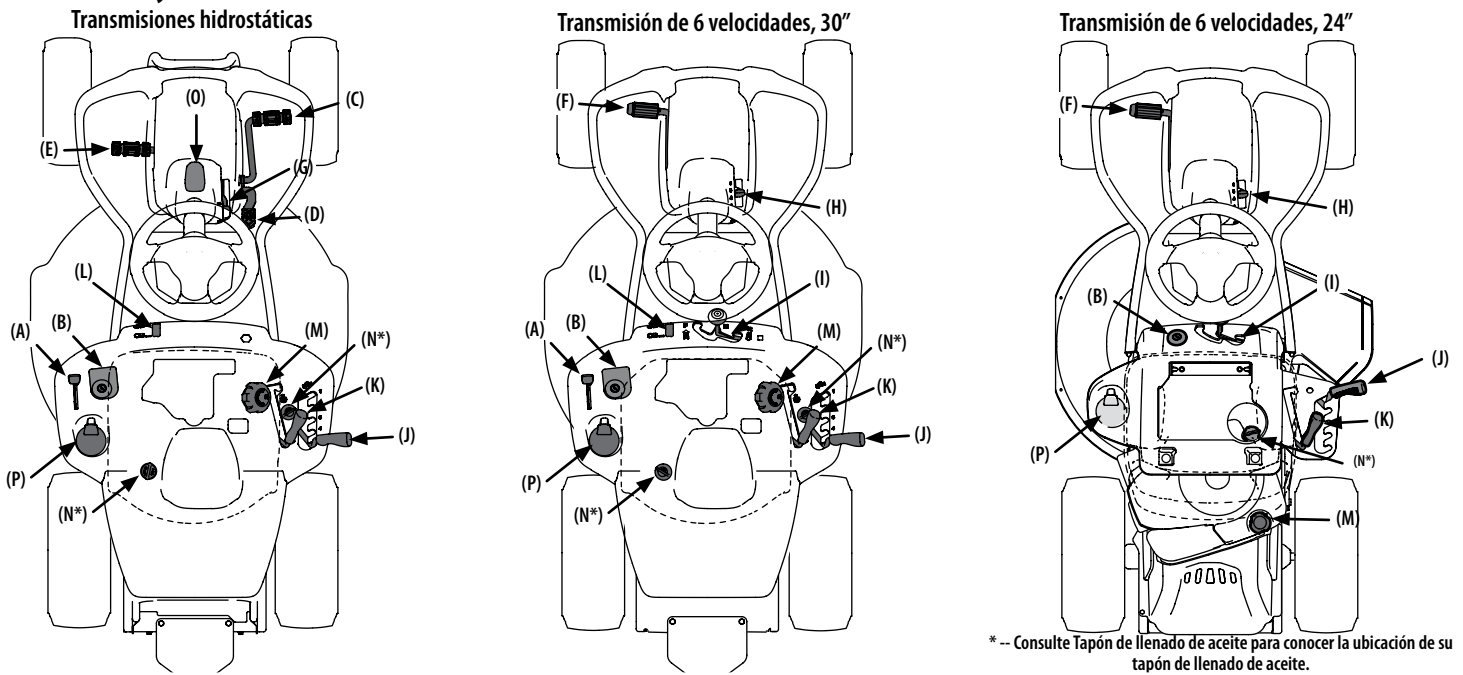


Figura 3-1

Nota: Este manual del operador abarca varios modelos. Las características técnicas del tractor cortacésped pueden variar según los modelos. No todas las características técnicas en este manual se aplican a todos los modelos de tractor cortacésped y el tractor cortacésped que se ilustra aquí puede diferir del suyo.

Nota: Las referencias a IZQUIERDA, DERECHA, ADELANTE Y ATRÁS indican esa posición desde el asiento del operador en el tractor, mirando hacia adelante.

Palanca de control del acelerador/cebador o de control del acelerador (Si está equipada) (A)

Palanca de control del acelerador/cebador (Si está equipada)

La palanca de control del acelerador/cebador está ubicada del lado izquierdo del tablero de instrumentos del tractor cortacésped. Esta palanca controla la velocidad del motor y, cuando se la empuja completamente hacia adelante, más allá de la posición de detención, también cierra el cebador para arranques en frío. Cuando se lo coloca en una posición determinada, el acelerador mantiene una velocidad de motor uniforme.

Nota: Cuando opere el tractor cortacésped con la plataforma de corte colocada, asegúrese de que la palanca del acelerador/cebador esté siempre en la posición FAST.



Control del acelerador (si está equipado)

El control del acelerador está ubicado del lado izquierdo del tablero de instrumentos del tractor cortacésped. Cuando se lo coloca en determinada posición, se mantiene una velocidad de motor uniforme.

Empuje la palanca de control del acelerador hacia adelante para aumentar la velocidad del motor. El tractor cortacésped se ha diseñado para operar con el control del acelerador en la posición FAST (velocidad rápida) (aceleración máxima) cuando el tractor cortacésped tiene la plataforma de corte enganchada.



Tire de la palanca de control del acelerador hacia atrás para reducir la velocidad del motor.

Módulo de encendido (B)

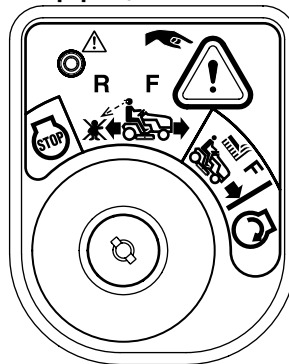
⚠ ADVERTENCIA

Nunca deje la máquina en funcionamiento sin vigilancia. Siempre desconecte la toma de fuerza (PTO), ponga el freno de mano, pare el motor y retire la llave, para evitar que el motor arranque accidentalmente.

El módulo de encendido está ubicado en el guardabarros izquierdo del tractor cortacésped si se sienta en la posición del operador, adyacente al control del acelerador/cebador o el control del cebador.

Módulo de encendido c/ Modo de precaución en marcha atrás (Si está equipado)

Para arrancar el motor, inserte la llave en el interruptor de encendido y gírela en el sentido de las agujas del reloj hasta la posición START (encendido). Suelte la llave en la posición MODO NORMAL DE CORTE una vez que haya arrancado el motor.



Para detener el motor, gire la llave de encendido en sentido contrario a las agujas del reloj hasta la posición STOP (parar).

⚠ PRECAUCIÓN

Antes de hacer funcionar el tractor cortacésped, consulte tanto Interruptores de interbloqueo de seguridad y Arranque del motor en la sección Funcionamiento de este manual para ver instrucciones detalladas sobre el módulo del interruptor de encendido y cómo operar el tractor cortacésped en MODO DE PRECAUCIÓN MARCHA ATRÁS.

Módulo de encendido (si está equipado)

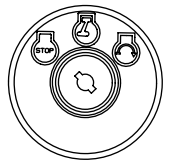
El interruptor de encendido tiene tres posiciones:

STOP (parar) — Se apagan el motor y el sistema eléctrico.

RUN (funcionamiento) — Se activa el sistema eléctrico del tractor cortacésped.

START (arranque) — El motor de arranque enciende el motor. Suelte la llave apenas arranca el motor.

Nota: Para evitar el arranque accidental y/o la descarga de la batería, quite la llave del interruptor de encendido cuando el tractor cortacésped no se encuentra en uso.



Pedal de marcha adelante (tractores cortacésped Hydro) (C)

El pedal de marcha adelante está ubicado a la derecha de la máquina, sobre el estribo. Presione el pedal de marcha adelante hacia adelante para que el tractor cortacésped se mueva en esa dirección. La velocidad absoluta también se controla con el pedal de marcha adelante. Cuanto más se presione el pedal hacia adelante, más rápido se moverá el tractor cortacésped. El pedal volverá a su posición original/de punto muerto cuando deje de oprimirlo.

Pedal de marcha atrás (tractores cortacésped Hydro) (D)

El pedal de marcha atrás está ubicado a la derecha del tractor, cortacésped a lo largo del sobre el estribo. La velocidad absoluta también se controla con el pedal de marcha atrás. Cuanto más se presione el pedal hacia abajo, más rápido se moverá el tractor cortacésped. El pedal volverá a su posición original/de punto muerto cuando deje de oprimirlo.

Pedal del freno (tractores cortacésped Hydro) (E)

El pedal del freno está ubicado del lado izquierdo del tractor cortacésped, a lo largo del estribo. Presione el pedal totalmente hacia abajo para enganchar el freno de disco y hacer que el tractor cortacésped se pare completamente.

Nota: Se debe oprimir completamente el pedal del freno para poner en marcha el motor. Consulte los Interruptores de interbloqueo de seguridad para obtener más información.

Pedal de freno-embrague (tractores cortacésped de 6 velocidades) (F)

El pedal del freno-embrague está ubicado del lado izquierdo del tractor cortacésped, a lo largo del estribo. Presione el pedal del embrague-freno parcialmente hacia abajo cuando disminuya la velocidad del tractor cortacésped cambiando las velocidades (Consulte la sección Palanca de control de velocidad). Presione el pedal totalmente hacia abajo para enganchar el freno de disco y hacer que el tractor cortacésped se pare completamente.

Nota: Se debe oprimir completamente el pedal del embrague-freno para poner en marcha el motor. Consulte la sección Interruptores de interbloqueo de seguridad.

Palanca del freno de mano (tractor cortacésped Hydro) (G)

Para poner el freno de mano, presione a fondo el pedal de freno. Mueva la palanca del freno de mano totalmente hacia abajo hasta la posición del freno de mano. Suelte el pedal del freno para permitir que el freno de mano quede puesto.

Para soltar el freno de mano, presione el pedal de freno y saque la palanca del freno de mano de la posición del freno de mano. Suelte el pedal de freno.

Nota: Si el operador abandona el asiento y deja el motor en funcionamiento, deberá colocar el freno de mano, o el motor se apagará de forma automática.

Palanca de control de velocidad/ freno de mano (tractor cortacésped de 6 velocidades) (H)

Para colocar el freno de mano, presione a fondo el pedal del embrague-freno. Mueva la palanca de control de velocidad/ freno de mano totalmente hacia abajo hasta la posición del freno de mano. Suelte el pedal del embrague-freno para permitir que el freno de mano engrane.

Para soltar el freno de mano, presione el pedal del embrague-freno y mueva la palanca de control de velocidad/ freno de mano de la posición de freno de mano y llévela a la posición deseada. Suelte el pedal de embrague-freno.

Nota: Si el operador abandona el asiento y deja el motor en funcionamiento, deberá colocar el freno de mano, o el motor se apagará de forma automática.

La palanca de control de velocidad permite regular la velocidad absoluta del tractor corta césped.

Para utilizarla, presione el pedal del embrague-freno, saque la palanca de control de velocidad/ freno de mano de la muesca del freno de mano y llévela hacia adelante para aumentar la velocidad absoluta del tractor. Cuando haya alcanzado la velocidad deseada, suelte la palanca de control de velocidad/ freno de mano en la muesca adecuada para mantener esa velocidad.

Para reducir la velocidad absoluta del tractor cortacésped, presione el pedal del embrague-freno, lleve la palanca de control de velocidad/ freno de mano hacia atrás y suéltela dentro de una muesca.

Palanca de cambios (tractores cortacésped de 6 velocidades) (I)

La palanca de cambios está ubicada en el panel de control justo debajo del asiento, en el centro del tractor cortacésped. Tiene tres posiciones: ADELANTE, PUNTO MUERTO y ATRÁS. Cuando mueva la palanca de cambios, el pedal del freno debe estar presionado a fondo y el tractor cortacésped no debe estar en movimiento.

Palanca de elevación de la plataforma (J)

Ubicada en el guardabarros derecho del tractor cortacésped, la palanca de elevación de la plataforma se utiliza para cambiar la altura de la plataforma de corte. Para utilizarla, mueva la palanca hacia la izquierda, luego colóquela en la muesca que mejor se adapte a la aplicación deseada.

Palanca de la toma de fuerza (PTO) (K)

Ubicada en el guardabarros derecho del tractor cortacésped, la palanca de la PTO se usa para dar energía a la plataforma de corte. Para hacerla funcionar, mueva la palanca totalmente hacia adelante. Si se mueve la palanca totalmente hacia atrás, hasta la posición OFF (apagado), se corta la energía a la plataforma de corte.

Nota: Al arrancar el motor, la palanca de la PTO debe estar en la posición desconectada (OFF).

Indicador de nivel de combustible (Si está equipado) (L)

El indicador de nivel de combustible está ubicado debajo del asiento a la izquierda de la posición del operador en el panel de controles. Use esta ventana para identificar los requerimientos de combustible del tractor cortacésped. Consulte la Figura 4-3.

Tapón de llenado de combustible (M)

El tapón de llenado de combustible está debajo del lado derecho del asiento en los modelos con plataforma de 30" y en el motor en la parte posterior de los modelos de tractor cortacésped con plataforma de 24". Consulte la sección Montaje y Configuración del presente manual para obtener instrucciones para los modelos con plataforma de 30" y el manual del operador del motor para obtener las instrucciones para cargar combustible en los modelos con plataforma de 24".

Tapón de llenado de aceite (N)

El tapón de llenado de aceite está debajo del lado izquierdo del asiento en los modelos equipados con motores Briggs & Stratton, el tapón de llenado de aceite está debajo del guardabarros derecho en todos los demás modelos. Consulte el Manual del operador del motor para obtener instrucciones sobre cómo controlar y agregar el aceite en este tractor cortacésped.

Faro delantero (Si está equipado) (O)

Los faros se encienden (ON) cada vez que se rota la llave sacándola de la posición STOP (parar). Los faros se apagan (OFF) cuando se coloca la llave de encendido en la posición STOP.

Portavasos (P)

El portavasos está ubicado a la izquierda del asiento del operador.

Varilla de derivación de la transmisión (no se muestra)

La varilla de derivación de la transmisión se encuentra dentro del neumático derecho, en la sección inferior derecha del bastidor.

Cuando está enganchada, la varilla abre una derivación dentro de las transmisiones hidrostáticas, lo cual permite empujar el tractor cortacésped a mano a lo largo de distancias cortas. Consulte la sección Montaje y Configuración para obtener instrucciones sobre el uso de la función de derivación.

Funcionamiento

⚠ ADVERTENCIA	
Evite lesiones graves o la muerte	
•	Conozca la ubicación y función de todos los controles.
•	Extraiga los objetos que podrían ser arrojados por las cuchillas.
•	Recorra las pendientes hacia arriba y hacia abajo, no de manera transversal.
•	Tenga más precaución en las pendientes. No corte el césped en pendientes de más de 12°. Evite realizar giros abruptos. Conduzca a baja velocidad.
•	No utilice la unidad en lugares donde podría resbalar o volcar.
•	Si la máquina se para mientras sube la pendiente, pare las cuchillas y retroceda lentamente para abajo.
•	Antes de abandonar la posición del operador, desconecte las cuchillas, ponga el freno de mano, apague el motor y saque la llave.
•	Asegúrese que las cuchillas y el motor se detengan antes de colocar las manos o los pies cerca de las cuchillas.
•	Mantenga los dispositivos de seguridad (guardas, protectores, interruptores, etc.) en su lugar y en funcionamiento.
•	Mantenga alejados a los observadores.
•	Deje que la máquina se enfríe antes de cargar combustible o almacenarla.
•	Mantenga la máquina libre de residuos.
Lea el Manual del operador	

Interruptores de interbloqueo de seguridad

Este tractor cortacésped está equipado con un sistema de bloqueo de seguridad para protección del operador. Si el sistema de bloqueo funciona mal, no se debe hacer funcionar el tractor cortacésped. Comuníquese con un distribuidor de servicio autorizado.

- El sistema de interbloqueo de seguridad impide que el motor arranque o se encienda salvo que esté colocado el freno de mano, y la palanca PTO se encuentre desenganchada en la posición OFF (apagado).
- Si el operador abandona su asiento antes de colocar el freno de mano, el motor se apagará automáticamente.
- Si el operador abandona el asiento del tractor cortacésped con la palanca de la PTO enganchada en la posición activada (ON), el motor se apaga de manera automática, independientemente de que el freno de mano esté enganchado o no.
- Con la llave de encendido en la posición de MODO DE CORTE NORMAL/FUNCIONAMIENTO, la PTO se apagará automáticamente si se mueve la palanca de la PTO a la posición activada (ON) con la palanca de cambios en posición de marcha atrás.
- El motor se apagará automáticamente si se extrae el adaptador para abono, el canal de la plataforma o el canal de la embolsadora, independientemente de si está puesto el freno de mano o de si la palanca de la PTO se encuentra en la posición de desactivación (OFF).

⚠ ADVERTENCIA
No opere el tractor cortacésped si el sistema de interbloqueo de seguridad funciona mal. El sistema fue diseñado para brindarle seguridad y protección.

Colocación del freno de mano

Para colocar el freno de mano:

1. Presione totalmente el pedal del embrague-freno o el pedal del freno, y manténgalo hacia abajo con el pie.
2. Mueva la palanca del freno de mano hacia abajo hasta la posición de freno de mano.
3. Suelte el pedal del embrague-freno o el pedal del freno para permitir que se active el freno de mano.

Para sacar el freno de mano:

1. Oprima el pedal del embrague-freno o el pedal del freno, y mueva la palanca del freno de mano hasta que quede fuera de la posición de freno de mano.

Ajuste de la altura del volante (Si está equipado)

Para ajustar la altura del volante:

1. Siéntese en el asiento del operador y coloque las manos en el volante.
2. Pulse el botón (a) de la columna de la dirección y eleve o baje el volante hasta la posición deseada. Consulte la Figura 3-2.

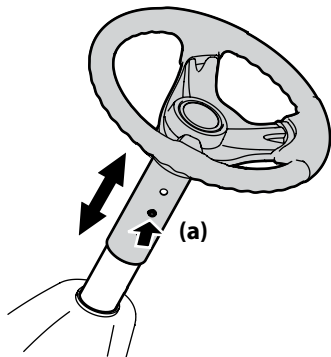


Figura 3-2

Nota: Después de lograr la posición deseada, levante y baje el volante para comprobar que se trabe en su lugar y que el botón (a) de la columna de la dirección se suelte para quedar trabado. No opere este tractor cortacésped a menos que la columna de la dirección esté en la posición en que queda trabada.

Ajuste de la altura de corte

Seleccione la posición de altura de la plataforma de corte colocando la palanca de elevación de la plataforma en cualquiera de las muescas de diferente altura de corte, del lado derecho del guardabarros.

⚠ ADVERTENCIA

Mantenga las manos y los pies alejados de la abertura de descarga de la plataforma de corte.

Consulte la sección Nivelación de la plataforma en la sección Mantenimiento y Ajustes de este manual para obtener instrucciones más detalladas sobre diferentes para el ajuste de la plataforma.

Arranque del motor

⚠ ADVERTENCIA

No opere el tractor cortacésped si el sistema de interbloqueo funciona mal. El sistema fue diseñado para brindarle seguridad y protección.

Nota: Consulte la sección Montaje y Configuración de este manual para obtener instrucciones sobre el llenado de aceite y gasolina.

1. Inserte la llave en el módulo de encendido.
2. Coloque la palanca de la PTO en la posición OFF (apagada).
3. Coloque el freno de mano del tractor cortacésped.
4. Active el control del cebador (si está equipado) para lo que debe mover la palanca de control del acelerador/cebador (si está equipada) completamente hacia adelante en la posición de cebador.
5. Gire la llave hacia la derecha a la posición START (arranque). Una vez que arranque el motor, suelte la llave. Volverá a la posición NORMAL MOWING MODE/RUN (modo de corte normal/funcionamiento).

⚠ PRECAUCIÓN

NO mantenga la llave en la posición START (arranque) durante más de diez segundos por vez. Si lo hace, puede ocasionar daños al arrancador eléctrico del motor.

6. Después de que arranque el motor, desactive el control del cebador (si está equipado) colocando el control del acelerador/cebador (si está equipado) en la posición FAST (rápido).

Nota: NO haga funcionar este tractor cortacésped con el control del cebador activado. Si lo hace, se generará una mezcla de combustible "rica" y puede hacer que el motor no funcione bien.

Para parar el motor

⚠ ADVERTENCIA

Si golpea contra algún objeto extraño, pare el motor, desconecte el cable de la bujía y conecte a tierra contra el motor. Inspeccione minuciosamente la máquina para ver si está dañada. Repare el daño antes de volver a arrancar y hacer funcionar.

1. Si la cuchilla está enganchada, coloque la palanca de la PTO en la posición desactivada (OFF).
2. Coloque el control del acelerador/cebador (Si está equipado) o el control del acelerador (Si está equipado) cerca de la posición SLOW (lento).
3. Gire la llave en sentido contrario a las agujas del reloj hasta la posición STOP (parar).
4. Retire la llave del módulo de encendido para evitar que alguien arranque accidentalmente el motor.

Conducción del tractor cortacésped

⚠ ADVERTENCIA

Evite arrancar súbitamente, desarrollar excesiva velocidad y parar inesperadamente.

⚠ ADVERTENCIA

No abandone el asiento del tractor cortacésped sin colocar primero la palanca de la PTO (enganche de cuchilla) en la posición OFF (desconectada), presionar el pedal del embrague-freno y colocar el freno de mano. Si deja el tractor cortacésped sin vigilancia, también gire la llave de encendido hasta la posición OFF (apagado) y retire la llave.

⚠ ADVERTENCIA

Siempre mire hacia abajo y hacia atrás antes y mientras se desplaza marcha atrás, para evitar un accidente.

1. Coloque el control del acelerador/cebador (Si está equipado) o el control del acelerador (Si está equipado) cerca de la posición FAST (rápido).
2. En los tractores cortacésped de 6 velocidades, coloque la palanca de cambios en la posición FORWARD (marcha adelante) o REVERSE (marcha atrás). En los tractores cortacésped Hydro, active lentamente el pedal de marcha adelante para desplazarse MARCHA ADELANTE hasta alcanzar la velocidad deseada. Para conducir MARCHA ATRÁS, presione lentamente el pedal de marcha atrás hasta alcanzar la velocidad deseada.
3. En los tractores cortacésped de 6 velocidades, presione el pedal del embrague-freno y mueva la palanca de control de velocidad para sacarla de la posición de freno de mano y llévela hasta el ajuste de velocidad deseado. En los tractores cortacésped Hydro, presione el pedal del freno y mueva la palanca del freno de mano para sacarla de la posición de freno de mano.
4. En los tractores cortacésped de 6 velocidades, suelte lentamente el pedal del embrague-freno para poner dicho tractor en movimiento. En los tractores cortacésped Hydro, presione lentamente el pedal de marcha adelante o atrás hasta alcanzar la velocidad deseada.
5. El tractor cortacésped, se para presionando el pedal del embrague-freno o el pedal del freno.

Importante: NO use la palanca de cambios (Si está equipada) para cambiar la dirección de desplazamiento mientras el tractor cortacésped

esté en movimiento. Use siempre el pedal de embrague-freno (Si está equipado) para hacer parar el tractor cortacésped por completo antes de hacer el cambio.

Importante: Los operadores primerizos deben usar las posiciones de velocidad 1 o 2 en la palanca de cambios (Si está instalada). Familiarícese por completo con el funcionamiento y los controles del tractor cortacésped antes de utilizarlo a velocidades más altas.

Nota: Al operar el tractor cortacésped inicialmente, habrá poca diferencia entre las dos velocidades más altas de la palanca de cambios (si está instalada) hasta después de que las correas se hayan asentado en las poleas durante el período de ablande.

⚠ ADVERTENCIA

Antes de abandonar la posición del operador cualquiera sea el motivo, desenganche la cuchilla, coloque la palanca de cambios (si está equipada) en punto muerto, coloque el freno de mano, APAGUE el motor y saque la llave.

Importante: Siempre que detenga el tractor cortacésped por cualquier razón en una zona donde haya césped, haga lo siguiente:

- Coloque la palanca de cambios en punto muerto.
- Ponga el freno de mano.
- Apague el motor y retire la llave. Eso permitirá reducir al mínimo la posibilidad de que su césped resulte quemado por el escape caliente del motor en funcionamiento.

Si el tractor cortacésped de 6 velocidades se detiene con la palanca de control de velocidad (si está equipada) en la posición de alta velocidad, o si el tractor cortacésped no funciona con la palanca de control de velocidad (si está equipada) en la posición de baja velocidad, realice lo siguiente:

- Coloque la palanca de cambios (si está equipada) en la posición NEUTRAL (punto muerto).
- Vuelva a arrancar el motor.
- Coloque la palanca de control de velocidad (si está equipada) en la posición de velocidad más alta.
- Suelte completamente el pedal del embrague-freno (si está equipado).
- Oprima el pedal del embrague-freno (si está equipado).
- Coloque la palanca de control de velocidad (si está equipada) en la posición deseada.
- Coloque la palanca de cambios (si está equipada) en la posición FORWARD (marcha adelante) o REVERSE (marcha atrás), y siga los procedimientos normales de operación.

Modo de precaución marcha atrás (si está equipado)

La posición MODO MARCHA ATRÁS CON PRECAUCIÓN del módulo de encendido permite operar el tractor en marcha atrás con las cuchillas (PTO) engranadas.

Nota: No se recomienda cortar el césped en marcha atrás.

⚠ ADVERTENCIA
Tenga sumo cuidado al operar el tractor en el MODO PRECAUCIÓN MARCHA ATRÁS. Mire siempre hacia abajo y detrás de usted antes y durante la marcha atrás. No haga funcionar el tractor cuando haya niños u otras personas cerca. Detenga el tractor inmediatamente si alguien se acerca.

Para utilizar el MODO PRECAUCIÓN MARCHA ATRÁS:

Nota: El operador DEBE estar sentado en el asiento del tractor.

1. Ponga en marcha el motor como se indicó previamente.
2. Gire la llave de la posición CORTE NORMAL (a) a la posición MODO PRECAUCIÓN MARCHA ATRÁS (b) del módulo de encendido. Consulte la Figura 3-1.

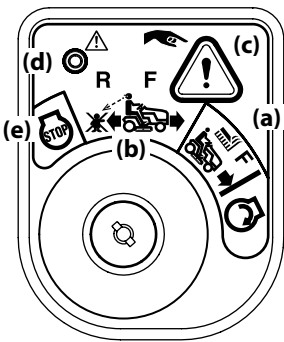


Figura 3-1

3. Oprima el BOTÓN DE MARCHA ATRÁS (c) en el ángulo superior derecho del módulo de encendido. La luz indicadora roja (d) que está en el ángulo superior izquierdo del módulo de encendido se mantendrá ENCENDIDA mientras está activada. Consulte la Figura 3-1.
4. Una vez activada (luz indicadora ENCENDIDA), el tractor podrá operar en marcha atrás con las cuchillas de corte (PTO) engranadas.
5. Siempre mire hacia abajo y hacia atrás antes y mientras se desplaza marcha atrás, para verificar que no haya niños cerca. Luego de volver a desplazarse hacia adelante, vuelva la llave a la posición de CORTE NORMAL (a).

El MODO PRECAUCIÓN MARCHA ATRÁS (b) permanecerá activado hasta que:

- a. Se coloque la llave ya sea en la posición de CORTE NORMAL (a) o de PARADA (e) o
- b. El operador deja el asiento.

Conducción en pendientes

Consulte el INDICADOR DE PENDIENTES en la sección Importantes medidas de seguridad del manual para contribuir a determinar en qué pendientes puede operar el tractor de manera segura.

⚠ ADVERTENCIA
No corte en pendientes con una inclinación de más de 12° (una elevación aproximada de 2 pies por cada 10 pies). El tractor cortacésped podría volcar y causar lesiones graves.

- En las pendientes corte hacia arriba y hacia abajo, NUNCA en forma transversal.
- Tenga sumo cuidado al cambiar de dirección en una pendiente.
- Esté atento a los hoyos, surcos, baches, rocas, y otros objetos ocultos. El terreno desnivelado puede voltear la máquina. El césped alto puede ocultar obstáculos.
- Evite realizar giros cuando opere en una pendiente. Si debe realizar un giro, hágalo pendiente abajo. Girar hacia arriba en una pendiente aumenta enormemente las posibilidades de que el vehículo dé una vuelta de campana.
- Evite parar cuando suba una pendiente. Si fuese necesario detenerse mientras sube una pendiente, arranque suave y cuidadosamente para reducir la posibilidad de que el tractor cortacésped se dé vuelta hacia atrás.

Conexión de la toma de fuerza (PTO)

Al conectar la PTO se suministra alimentación a la plataforma de corte. Para enganchar la cuchilla, haga lo siguiente:

1. Coloque el control del acelerador/cebador (si está equipado) o el control del acelerador (si está equipado) cerca de la posición FAST (rápido).
2. Tome la palanca de la PTO y gírela totalmente hacia adelante hasta la posición ON (activada).

Nota: Mantenga el control del acelerador/cebador (si está equipado) o el control del acelerador (si está equipado) en la posición FAST (velocidad rápida; representada por una liebre), para el uso más eficaz de la plataforma de corte.

Importante: La palanca de la PTO (enganche de cuchilla) debe estar en la posición desactivada (OFF) al arrancar el motor, cuando se desplaza marcha atrás, y si el operador abandona su asiento. Consulte la sección Interruptores de interbloqueo de Seguridad de este manual.

Abono (Si está equipada)

El abono es un proceso por el cual se recirculan los recortes de césped de manera repetida debajo de la plataforma de corte. Los recortes muy finos luego son despedidos hacia atrás para que se depositen en el césped y actúen como fertilizante natural. Consulte la sección Montaje y Configuración de este manual para ver instrucciones sobre cómo instalar el kit de abono (si está equipado).

Uso de la palanca de elevación de la plataforma

Para elevar la plataforma de corte, mueva la palanca de elevación de la plataforma hacia la izquierda, luego colóquela en la muesca que mejor se adapte a la aplicación deseada. Consulte Ajuste de la altura de corte en esta sección.

Corte de césped

⚠ ADVERTENCIA
Para tratar de evitar el contacto con las cuchillas o una lesión por un objeto que sea arrojado, mantenga a los observadores, ayudantes, niños y mascotas alejados al menos 75 pies de la máquina mientras está funcionando. Pare la máquina si alguien ingresa al área.

⚠ ADVERTENCIA
Planifique el patrón de corte, para evitar que la descarga de materiales se realice hacia los caminos, las veredas, los observadores, etc. Evite además descargar material contra una pared u obstrucción, ya que esto podría hacer que el material descargado rebote contra el operador.

La siguiente información será de utilidad cuando use la plataforma de corte con su tractor cortacésped:

- No corte a alta velocidad absoluta, especialmente si tiene instalado un kit de abono o un colector de césped.
- Para obtener los mejores resultados, se recomienda realizar los dos primeros cortes de césped arrojando la descarga hacia el centro. Después de las dos primeras vueltas, cambie la dirección para arrojar la descarga hacia afuera, para equilibrar el corte. Esto otorgará un mejor aspecto al césped.
- No corte el césped demasiado corto. El césped corto es propicio para el crecimiento de malezas y se pone amarillo rápidamente cuando escasea la lluvia.
- El corte del césped siempre debe realizarse con el acelerador del motor al máximo.
- En terrenos difíciles, puede resultar necesario pasar por segunda vez el tractor cortacésped sobre el área ya cortada, para obtener un corte más prolijo.
- NO intente cortar malezas frondosas o césped extremadamente alto. El tractor cortacésped fue diseñado para cortar el césped, NO para podar malezas.
- Mantenga la cuchilla afilada y cámbiela cuando se gasten. Consulte Cuchilla de corte en la sección Servicio de este manual para obtener instrucciones sobre cómo afilar correctamente las cuchillas.

	Antes de cada uso	Cada 10 horas	Cada 25 horas	Cada 50 horas	Cada 100 horas	Antes de almacenar
Compruebe/Limpie las Pantallas de Entrada de Motor y los Ventiladores de Enfriamiento *	✓					✓
Revisar/Limpiar el Colector de Escape, el Silenciador y los Escudos del Silenciador *	✓					✓
Compruebe/Limpie la Campana/Tablero Tableros *	✓					✓
Compruebe/Limpie la parte superior y la parte inferior de la cubierta, debajo y alrededor de las cubiertas del eje y el área de la correa *	✓					✓
Comprobar / limpiar alrededor de los fusibles, el cableado y los arneses de cableado *	✓					✓
Comprobar / limpiar alrededor de la transmisión, el eje y los ventiladores *	✓					✓
Controle el nivel de aceite del motor	✓	✓				
Revise si el filtro de aire está sucio, flojo o tiene piezas dañadas	✓					
Limpie y vuelva a lubricar el depurador de espuma del filtro de aire (si está equipado)			✓			
Reemplace el elemento del filtro de aire					✓	
Cambie el aceite del motor y reemplace el filtro de aceite (si está equipado)				✓		
Lubrique las llantas y los ejes frontales			✓			✓
Limpie las aletas de refrigeración del motor			✓			✓
Controle el estado y la separación de la bujía de encendido					✓	✓
Reemplace el filtro de combustible					✓	

* — Realizar más a menudo en condiciones secas y / o cuando el acolchado

Importante: Es importante consultar el Manual del Operador del motor específico incluido con esta máquina para ver los procedimientos detallados de mantenimiento del motor y los intervalos correctos.

Nota: Este manual del operador abarca varios modelos. Las características técnicas del tractor cortacésped pueden variar según los modelos. No todas las características técnicas en este manual se aplican a todos los modelos de tractor cortacésped y el tractor cortacésped que se ilustra aquí puede diferir del suyo.

Después de la operación del tractor Cuidado

Después de cada operación del tractor, los siguientes procedimientos deben ser implementados para extender la vida útil de su tractor y garantizar condiciones seguras de operación.

⚠ PELIGRO

El incumplimiento de estas recomendaciones puede provocar lesiones graves a sí mismo o a otros y puede causar daños en el tractor.

Limpieza de la parte inferior del piso

Deck Wash System™ (si viene equipado)

La plataforma de su tractor está equipada con un puerto de agua sobre su superficie como parte del sistema de lavado de la plataforma.

Utilice el Smart Jet para quitar los recortes de césped de la parte inferior de la plataforma e impedir la acumulación de sustancias químicas corrosivas. Realice los siguientes pasos DESPUÉS DE CADA CORTE DE CÉSPED:

1. Dirija el tractor a una zona nivelada y despejada del césped, que se encuentre suficientemente cerca de una canilla de agua al alcance de la manguera del jardín.

⚠ PRECAUCIÓN

Asegúrese de que el canal de descarga del tractor NO ESTÉ ORIENTADO EN LA DIRECCIÓN en que se encuentran las personas, la casa, el garaje, los vehículos estacionados, etc.

2. Desconecte la toma de fuerza (PTO), aplique el freno de mano y detenga el motor.
3. Enrosque el acople de manguera (embalado con el Manual del Operador de su tractor) en el extremo de la manguera de jardín.

4. Una el acople de la manguera al puerto de agua que se encuentra en la superficie de la plataforma. Vea la Figura 4-1.



Figura 4-1

5. Abra el suministro de agua.
6. Mientras está sentado en la posición del operador del tractor, arranque el motor y coloque la palanca del regulador en la posición FAST (velocidad rápida).

7. Mueva la PTO del tractor a la posición de activación (ON).
 8. Permanezca en la posición del operador con la plataforma enganchada durante dos minutos como mínimo, permitiendo que la parte inferior de la plataforma de corte se lave a fondo.
 9. Mueva la PTO del tractor a la posición de desactivación (OFF).
 10. Gire la llave de encendido a la posición STOP (detención) para apagar el motor del tractor.
 11. Desconecte el agua y retire el acoplador de la manguera desde el puerto de agua que se encuentra en la superficie de la plataforma.
- NOTA:** En las plataformas de 50 y 54 pulgadas hay dos puertos de agua; uno a cada lado de la plataforma.
12. Después de limpiar la plataforma con el sistema Smart Jet, regrese a la posición del operador y active la PTO. Mantenga la plataforma en funcionamiento durante dos minutos por lo menos para permitir que se seque totalmente la parte inferior de la misma.

Limpeza del tractor

⚠ ADVERTENCIA

Si el tractor ha sido recientemente funcional, el motor, el silenciador y las superficies metálicas circundantes estarán calientes y pueden causar quemaduras en la piel. Deje que el motor se enfríe durante al menos cinco minutos la precaución para evitar quemaduras.

Su tractor debe limpiarse después de cada uso y bajo ciertas condiciones, es decir, condiciones secas y/o situaciones de picado, de limpieza adicional puede ser necesario.

Una de las mejores maneras de mantener su tractor funcionando de manera eficiente y para reducir el riesgo de incendio es eliminar la acumulación de basura con regularidad desde el tractor. Siga las recomendaciones a continuación y póngase en contacto con su distribuidor autorizado con cualquier pregunta.

- Deje que la máquina se enfríe en un área abierta antes de la limpieza.
- No use agua en cualquier parte del tractor, excepto la parte inferior de la plataforma de corte. Si lo hace, puede provocar daños en los rodamientos para husillos del tractor, el sistema eléctrico y el motor, lo que lleva a fallas prematuras. El uso de aire comprimido y / o soplador de hojas se ayudan a mantener limpio el tractor.
- Clean bajo el capó. Colector de escape, alrededor de fusibles, todo el cableado y arneses, tubo silenciador, escudo de silenciador, pantallas de admisión del motor y las aletas de refrigeración, etc. Vea la Figura 4-2.

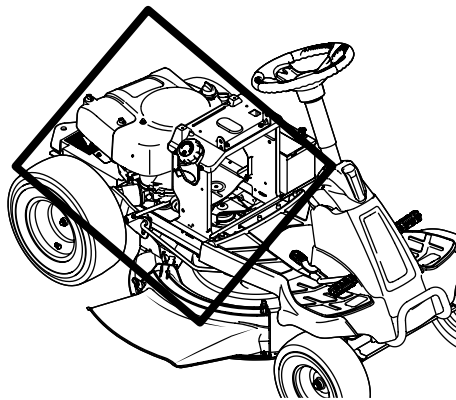


Figura 4-2

- Limpiar la parte superior de la plataforma de corte, bajo las sábanas de husillo y área de la correa. Vea la Figura 4-3.

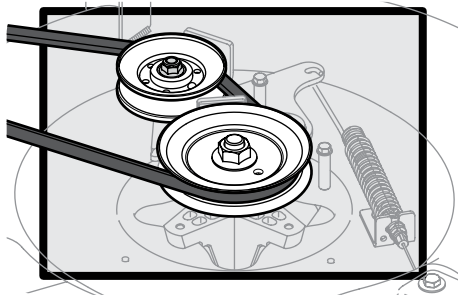


Figura 4-3

- Limpia alrededor y cerca de la transmisión, el eje y el área del ventilador. Vea la Figura 4-3.
- Los residuos pueden acumularse en cualquier lugar en el tractor, especialmente en superficies horizontales. Limpieza adicional puede ser necesaria cuando la siega en condiciones secas o cuando acolchado.
- Fugas de combustible / derrames, fugas de aceite / derrames y el exceso de lubricación también pueden convertirse en sitios de colecciones de escombros. Inmediata reparación y limpieza de derrames de aceite o combustible puede ayudar a reducir los riesgos de incendio.
- Además de limpiar el tractor, antes de manejar y almacenar, no intente cortar inusualmente alto (10" o superior), la hierba seca (por ejemplo, pasto) o pilas de hojas secas. Hierba u hojas en seco pueden ponerse en contacto con los gases de escape del motor y / o acumularse en la plataforma de corte en un peligro de incendio.

Batería

Limpie la batería retirándola del tractor cortacésped y lavándola con bicarbonato de sodio y una solución de agua. Si es necesario, raspe los bornes de la batería con un cepillo de alambre para quitar los depósitos. Cubra los bornes y los cables expuestos con grasa o vaselina para prevenir la corrosión.

La batería está sellada y no necesita mantenimiento. Los niveles de ácido no se pueden controlar.

- Siempre mantenga limpios y libres de acumulación de elementos corrosivos los cables y los bornes de la batería.
- Después de limpiar la batería y los bornes, aplique una capa delgada de vaselina o grasa a ambos bornes.
- Siempre mantenga los capuchones de goma colocados sobre el borne positivo para prevenir un cortocircuito.

Importante: Si por alguna razón extrae la batería, desconecte primero el cable NEGATIVO (negro) de su borne y a continuación el cable POSITIVO (rojo). Cuando vuelva a instalar la batería, conecte siempre primero el cable POSITIVO (rojo) a su borne, y a continuación el cable NEGATIVO (negro). Asegúrese que los cables estén conectados a los bornes correctos, ya que si los cambia se podría invertir la polaridad y provocar un daño al sistema alternador del motor.

Almacenamiento del tractor

- Deje que la máquina se enfríe en un área abierta antes de guardarla.
- No estacione el tractor cerca de materiales inflamables (madera, tela o productos químicos) o cualquier llama abierta u otra fuente potencial de ignición (horno, calentador de agua o cualquier otro tipo de calentador).
- Retire todos los materiales combustibles desde el tractor antes de guardarla. Cajas de carga vacíos, recogedores de hierba y contenedores.

- Siempre cerrar el flujo de combustible cuando almacenar o transportar si tractor está equipado con un cierre de combustible.
- Compruebe el sistema de combustible (líneas, el tanque, tapa y accesorios) con frecuencia grietas o fugas. Reparación y limpiar como sea necesario.

Mantenimiento

⚠ ADVERTENCIA

Antes de realizar tareas de mantenimiento o reparaciones, desconecte la PTO, mueva la palanca de cambios (si está instalada) a la posición de punto muerto, ponga el freno de mano, pare el motor y saque la llave, para evitar el arranque accidental del motor.

Motor

Nota: En algunos modelos, para acceder al drenaje/llenado del aceite, es posible que se deban extraer los componentes de la embolsadora (si está equipada).

Consulte las instrucciones para el mantenimiento del motor en el Manual de operación del motor.

Controle el nivel de aceite del motor antes de cada uso, según las instrucciones del Manual del operador del motor que se entregan con el tractor. Siga las instrucciones con atención.

Cambio del aceite del motor

Nota: Se necesita un sifón de aceite para drenar el aceite del cárter en el modelo con plataforma de 24". Consulte el Suplemento sobre Piezas de repuesto/Garantía para obtener información sobre la compra de un kit de sifón de aceite (pieza n.º 490-850-0008). Consulte el Manual del operador del motor que se incluye con este tractor cortacésped para obtener las instrucciones completas para el mantenimiento del motor.

Para drenar el aceite del cárter del motor, proceda de la siguiente manera:

1. Deje el motor encendido durante algunos minutos para que el aceite del cárter se caliente. El aceite caliente fluirá más libremente y arrastrará más sedimentos del motor que se puedan haber depositado en el fondo del cárter. Tenga cuidado y evite quemarse con el aceite caliente.
2. Localice la válvula de drenaje de aceite en el costado del motor y el tapón de llenado de aceite en la parte superior del motor.
3. Desenrosque el tapón de llenado de aceite y extraiga la varilla de nivel de aceite del tubo de llenado.
4. Encaje a presión el extremo pequeño del manguito de drenaje de aceite (a) en el espacio previsto alrededor del tapón de drenaje de aceite (b). Consulte la Figura 4-4.

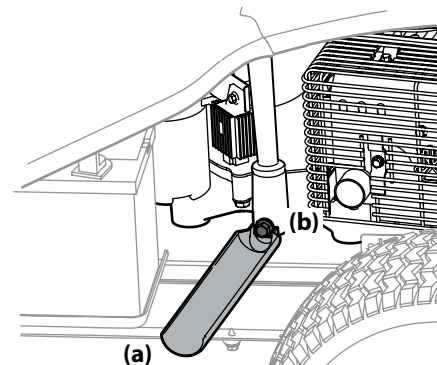


Figura 4-4

5. Extraiga el tapón de drenaje y vacíe el aceite en un contenedor apropiado, con una capacidad no menor a 64 oz.

- Incline el tractor cortacésped ligeramente en dirección de un recipiente adecuado para ayudar a drenar por completo todo el aceite del motor.

⚠ ADVERTENCIA

Antes de inclinar el motor o el equipo para drenar el aceite, drene el combustible del depósito haciendo funcionar el motor hasta que el depósito de combustible esté vacío.

- Vuelva a colocar el tapón de drenaje del aceite y ajuste bien. Tenga cuidado de no ajustar demasiado el tapón de drenaje de aceite.
- Cargue aceite nuevo en el motor, tal como se indica en el Manual del operador del motor que viene embalado con su tractor cortacésped.

Nota: Consulte el Manual del operador del motor que viene embalado con su tractor cortacésped, para obtener información sobre la cantidad y la viscosidad adecuadas del aceite del motor.

Lubricación

⚠ ADVERTENCIA

Antes de lubricar, reparar o inspeccionar, siempre debe desconectar la PTO, mover la palanca de cambios a la posición neutral, coloque el freno de mano, apague el motor y retire la llave, para evitar que se encienda accidentalmente.

Motor

Lubrique el motor con aceite para motor, tal como se indica en el Manual del operador del motor que viene embalado con su tractor cortacésped.

Puntos de pivote y varillaje

Lubrique todos los puntos de pivote del sistema de impulsión, el freno de mano y el varillaje de elevación al menos una vez por temporada con aceite ligero.

Ruedas traseras

Las ruedas traseras se deben sacar de los ejes una vez por temporada. Lubrique bien los ejes y las llantas con una grasa multiusos antes de reinstalarlos.

Ejes delanteros

Cada extremo de la barra de pivote delantera del tractor cortacésped puede estar equipado con un accesorio de engrasado. Lubrique con pistola de grasa cada 25 horas de funcionamiento del tractor cortacésped.

Cremallera y piñón de dirección

Una vez por temporada, o cada 25 horas de funcionamiento, será necesario lubricar el mecanismo de cremallera y piñón de dirección (a) que está ubicado debajo del frente del tractor cortacésped. Mediante el uso de grasa para automóviles estándar, engrase el frente y la parte posterior del mecanismo de cremallera y piñón de dirección (a), como se indica en la Figura 4-5.

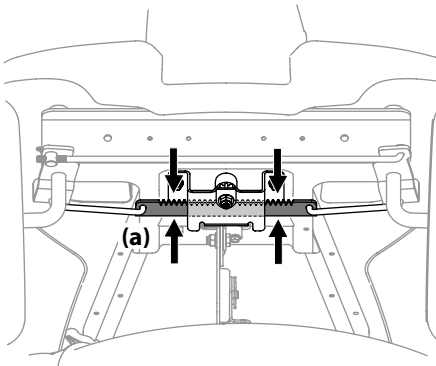


Figura 4-5

Limpieza del tractor

Si el motor ha estado funcionando, déjelo enfriar durante por lo menos media hora antes de limpiarlo. Retire periódicamente la suciedad acumulada en el motor. Limpie las aletas de refrigeración cada 25 horas. Limpie con un cepillo o aire comprimido.

Importante: No rocíe el motor con agua para limpiarlo porque el agua podría contaminar el combustible. Con una manguera de jardín o equipo de lavado a presión también puede forzar agua dentro del filtro de aire o la abertura del silenciador. El agua en el filtro de aire embeberá el elemento de papel, y el agua que pasa a través del elemento o silenciador puede ingresar en el cilindro, causando daño.

Si se derrama combustible o aceite sobre la máquina, debe limpiarse de inmediato. NO permita que se acumulen desechos alrededor de las aletas de refrigeración del motor ni en ninguna otra parte de la máquina.

Importante: NO se recomienda el uso de una lavadora de presión para limpiar el tractor cortacésped. Puede dañar los componentes eléctricos, los husillos, las poleas, los rodamientos o el motor.

⚠ ADVERTENCIA

La acumulación de residuos alrededor del silenciador podría producir un incendio. Inspecciónelo y límpielo antes de cada uso.

Ajustes

⚠ ADVERTENCIA

Nunca intente hacer ajustes mientras el motor está en marcha, excepto cuando así lo especifica el Manual del operador.

Asiento

Consulte la sección Configuración y Montaje de este manual para ver instrucciones para el ajuste del asiento.

Freno de mano

⚠ ADVERTENCIA

Nunca intente ajustar los frenos con el motor en marcha. Desenganche siempre la PTO, mueva la palanca de cambios en punto muerto, pare el motor y retire la llave, para evitar que alguien arranque accidentalmente el motor.

Si el tractor cortacésped no se detiene por completo cuando se presiona totalmente el pedal de freno, o si las ruedas traseras del tractor pueden rodar con el freno de mano colocado, el freno necesita ajustes. Consulte con su distribuidor de servicio autorizado para realizar un ajuste correcto de los frenos.

Plataforma

Nota: Controle la presión de neumáticos del tractor cortacésped antes de realizar cualquier nivelación de la plataforma. Consulte Neumáticos en la sección Montaje y Configuración para obtener más información sobre la presión de los neumáticos.

Nivelación de adelante hacia atrás

Es posible ajustar la inclinación de la plataforma de corte. El frente de la plataforma debe estar entre 0" (a nivel) y ¼" más bajo que la parte posterior de la plataforma. De ser necesario, realice un ajuste de la siguiente manera:

- Con el tractor cortacésped estacionado sobre una superficie firme y nivelada, ubique la palanca de elevación de la plataforma en la posición media y rote la cuchilla de manera que quede alineada con el frente y la parte posterior del tractor cortacésped.
- Mida la distancia desde la parte delantera de la punta de la cuchilla hasta el piso, y desde la parte posterior de la punta de la cuchilla hasta el piso. La primera medición debe ser entre 0" (al ras) y ¼" menos que la segunda medición. Determine la distancia aproximada necesaria para un ajuste adecuado y, de ser necesario, siga con el paso siguiente.

- Ubique la tuerca de seguridad con brida (a) en el extremo frontal de la varilla de elevación de la PTO (b). Consulte la Figura 4-6.

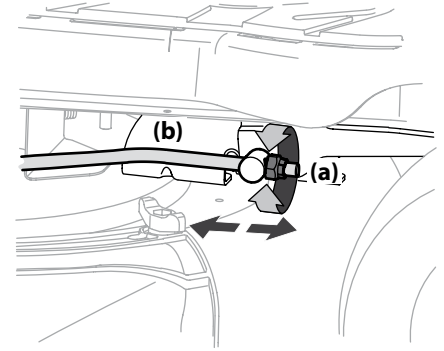


Figura 4-6

- Apriete la tuerca de seguridad con brida (a) para elevar la parte frontal de la plataforma;
- Afloje la tuerca de seguridad con brida (a) para bajar la parte frontal de la plataforma.

Neumáticos

Consulte la sección Montaje y Configuración para obtener más información sobre la presión de los neumáticos.

Almacenamiento fuera de temporada

⚠ ADVERTENCIA

Nunca almacene el tractor cortacésped con combustible en el tanque en un espacio cerrado o en áreas poco ventiladas donde los gases del combustible puedan llegar a una llama expuesta, una chispa o un piloto como el que tienen algunos hornos, calentadores de agua, secadores de ropa o algún artefacto a gas.

Motor

Importante: El combustible que queda en el tanque cuando hace calor se deteriora y causa problemas graves de encendido.

Para evitar que se formen depósitos de goma dentro del carburador del motor y posibles desperfectos en el motor, el sistema de combustible debe ser vaciado completamente, o se debe tratar la gasolina con un estabilizador para evitar el deterioro.

- Si utiliza un estabilizador de combustible:
 - Lea las instrucciones y recomendaciones del fabricante del producto.
 - Agregue la cantidad correcta de estabilizador para la capacidad del sistema de combustible a gasolina limpia y nueva.
 - Llene el depósito de combustible con combustible tratado y haga funcionar el motor 2-3 minutos para estabilizar el combustible dentro del carburador.
- Cuando vacíe el sistema de combustible:

⚠ ADVERTENCIA

La gasolina es sumamente inflamable y puede ser explosiva en ciertas condiciones. Vacíe la antes de almacenar el equipo durante períodos prolongados. Drene el combustible únicamente dentro de un recipiente aprobado y al aire libre, lejos de cualquier llama expuesta. Deje que el motor se enfríe. Apague cigarrillos, cigarras, pipas y otras fuentes de combustión antes de drenar el combustible. Almacene la gasolina en un recipiente aprobado, en un lugar seguro.

- No drene el combustible cuando el motor está caliente. Permita que el motor se enfríe bien. Drene el combustible dentro de un recipiente aprobado y al aire libre, lejos de cualquier llama expuesta.

- Drene un volumen de combustible grande desde el depósito, desconectando la línea de combustible del filtro de combustible en línea que se encuentra cerca del motor. Consulte las instrucciones completas de Drenaje de combustible en la presente sección.
- Vuelva a conectar la línea de combustible y haga funcionar el motor hasta que comience a fallar, use entonces el cebador para mantener el motor en marcha hasta agotar todo el combustible del carburador.
- Desconecte la línea de combustible y drene la gasolina que queda en el sistema.

⚠ ADVERTENCIA

La gasolina es una sustancia tóxica. Elimine la gasolina adecuadamente. Comuníquese con las autoridades locales para averiguar cuáles son los métodos adecuados para eliminar la gasolina.

- Extraiga la bujía y vierta una onza de aceite para motor por el orificio de la bujía hacia el interior del cilindro. Haga girar el motor varias veces para distribuir el aceite. Vuelva a colocar la bujía.

Cómo drenar el combustible

1. Ubique el filtro de combustible, puede estar sujeto al motor con un precinto.
2. Corte el precinto, si lo hay, luego sujete la abrazadera en línea del filtro de combustible con un par de pinzas, deslice la abrazadera hacia arriba por la línea de combustible.
3. Saque la línea de combustible del filtro y coloque el extremo abierto de la línea en un recipiente aprobado para drenar el combustible.

Preparación del tractor cortacésped

1. Limpie y lubrique el tractor cortacésped como se describe en la sección Lubricación.
2. No utilice una lavadora a presión ni una manguera de jardín para limpiar su tractor cortacésped.
3. Almacene el tractor cortacésped en un lugar limpio y seco. No lo almacene cerca de productos corrosivos, como fertilizantes.

Servicio

Extracción de la plataforma de corte

Para extraer la plataforma de corte, proceda de la siguiente manera:

1. Coloque la palanca de la PTO en la posición OFF (desactivada) y ponga el freno de mano.
2. Baje la plataforma colocando la palanca de elevación de la plataforma dentro de la muesca inferior del guardabarros derecho.
3. Extraiga el pasador de chaveta con unión curva (a) y la arandela plana (b) del conjunto de elevación de la plataforma y guárdelo para volver a colocarlo posteriormente. Consulte la Figura 4-7.

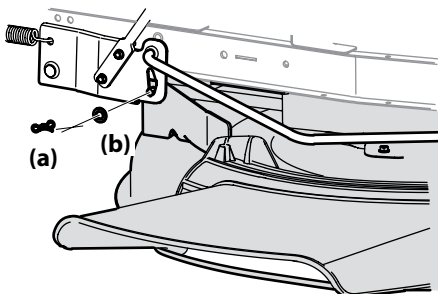


Figura 4-7

4. Extraiga la correa de alrededor de la polea de la PTO del tractor. Consulte la Figura 4-8.

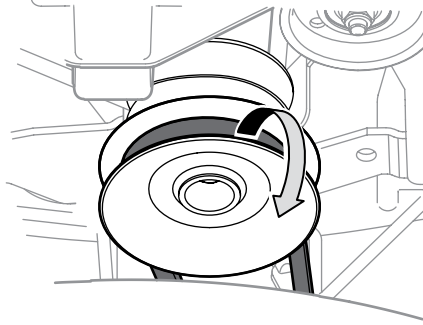


Figura 4-8

5. Extraiga los pasadores de chaveta con unión curva (a) que aún están sujetando la plataforma al tractor cortacésped, como se indica en la Figura 4-9.

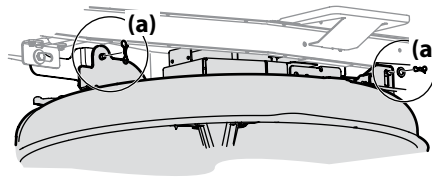


Figura 4-9

Nota: Durante el reensamblado, los pasadores de chaveta con unión curva (a) se deben volver a colocar de arriba hacia abajo.

6. Desconecte el cable en espiral del interruptor de la plataforma.
7. Mueva la palanca de elevación de la plataforma dentro de la muesca superior del guardabarros derecho para levantar los brazos de elevación de la plataforma y sacarlos del camino.
8. Extraiga con cuidado el cable de la PTO de la parte posterior de la plataforma de corte. Retire el resorte del soporte de polea loca de la plataforma. Consulte la Figura 4-10.

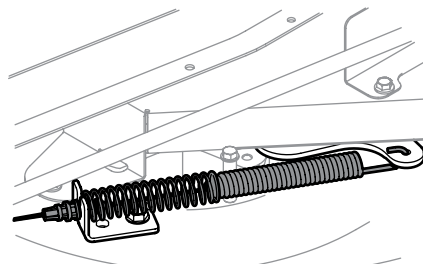


Figura 4-10

9. Deslice suavemente la plataforma de corte (desde el lado izquierdo) hacia afuera desde la parte inferior del tractor.

Instalación de la plataforma

Para instalar el mazo, invierta las instrucciones de Extracción de mazo en la página 18.

Cambio de la correa de la plataforma

Nota: Se puede cambiar la correa de la plataforma sin desinstalar la plataforma de corte del tractor; sin embargo, resulta mucho más fácil extraer primero la plataforma, cambiarle la correa y luego volver a instalar la plataforma de corte.

Para cambiar la correa de la plataforma de corte, proceda de la siguiente manera:

1. Lo más fácil es cambiar la correa de la plataforma extrayendo primero la plataforma de corte como se indicó previamente en esta sección. Omita este paso si decide cambiar la correa de la plataforma sin extraer la plataforma de corte de la cortadora de césped. De lo contrario, extraiga la plataforma de corte ahora.
2. Si va a cambiar la correa de la plataforma con la plataforma de corte aún instalada en el tractor cortacésped, baje la plataforma a la posición de corte más baja.
3. Extraiga la correa de la plataforma de alrededor de la polea de transmisión de la PTO del tractor cortacésped como se indica en la Figura 4-8. Simplemente deje rodar un lado de la correa para que salga de la polea y luego debe seguir sacándola todo alrededor de la polea hasta que se sale de la polea.
4. Lleve la correa hacia el frente del tractor cortacésped, jalándola a través y hacia afuera de la varilla del guardacorrea.
5. Extraiga la cubierta de la correa de la plataforma (a), para lo cual deberá retirar los tres pernos hexagonales (b) que la sujetan. Consulte la Figura 4-11 para plataformas de 30" y la Figura 4-12 para plataformas de 24".

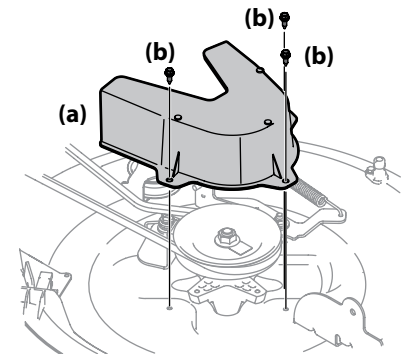


Figura 4-11

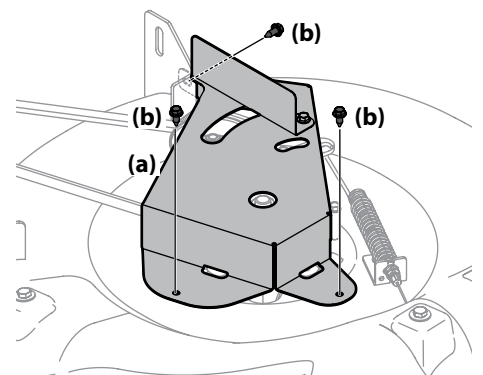


Figura 4-12

6. Extraiga el guardacorrea (plataformas de 30" solamente) extrayendo el perno hexagonal (a) que la sujeta. Consulte la Figura 4-13.

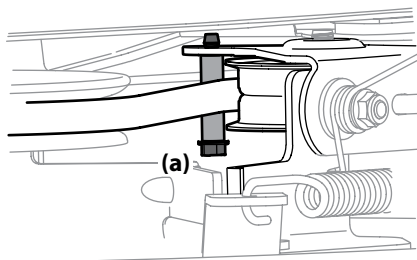


Figura 4-13

7. Afloje la polea loca (plataformas de 24" solamente) (a) para lo cual debe aflojar la tuerca de seguridad con brida (b) que la sujeta, lo suficiente para que quede una holgura para que pase la correa hacia afuera. Extraiga la correa sacándola de la polea de transmisión de la plataforma (c) y de la polea loca (a). Consulte la Figura 4-14.

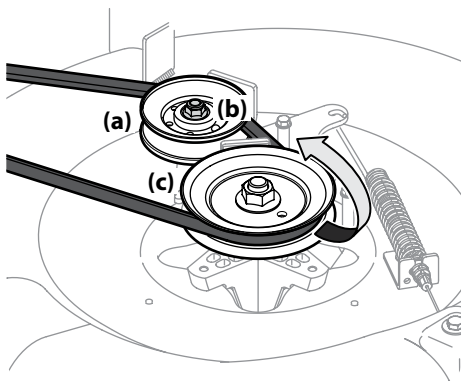


Figura 4-14

8. Cambie la correa, luego vuelva a instalar todos los componentes que extrajo siguiendo el orden inverso.
9. Pase la correa de la plataforma a través de la varilla del guardacorrea y colóquela alrededor y sobre la polea de transmisión de la PTO, como se indica en la Figura 4-8.

Batería

⚠ ADVERTENCIA

PROPOSICIÓN 65 DE CALIFORNIA: Los bornes y contactos de la batería y los accesorios afines contienen plomo y compuestos de plomo, sustancias químicas que el Estado de California considera que pueden producir cáncer y daños en el sistema reproductivo. Lávese las manos después de estar en contacto con estos componentes.

⚠ PRECAUCIÓN

Si quita la batería para limpiarla, desconecte primero el cable NEGATIVO (negro) de su terminal y a continuación el cable POSITIVO (rojo). Cuando vuelva a instalar la batería, conecte siempre primero el cable POSITIVO (rojo) a su borne, y a continuación el cable NEGATIVO (negro). Asegúrese de que los cables estén conectados a los terminales correctos, ya que si lo invierte se podría dañar gravemente el sistema alternador del motor.

Desperfectos de la batería

Algunas causas comunes de falla de la batería son:

- Activación inicial incorrecta
- Sobrecarga
- Congelamiento
- Carga insuficiente
- Corrosión en las conexiones

Estas fallas NO están cubiertas por la garantía de su tractor.

Arranque con puente

⚠ ADVERTENCIA

Nunca arranque con puente una batería dañada o congelada. Asegúrese de que los vehículos no se toquen y los motores están apagados. No permita que las pinzas de los cables se toquen.

1. Conecte el cable positivo (+) al borne positivo (+) de la batería descargada de su tractor.
2. Conecte el otro extremo del cable al borne positivo (+) de la batería auxiliar.
3. Conecte el segundo cable (negativo -) al otro borne de la batería auxiliar.
4. Haga la conexión final al bloque del motor del tractor, alejado de la batería. Acople a una parte sin pintura para asegurarse de que haya una buena conexión.

⚠ PRECAUCIÓN

Si la batería con el puente conector se instala en un vehículo, NO ponga en marcha el motor del vehículo cuando arranque su tractor con el conector puente.

5. Arranque el tractor según las instrucciones de la sección Funcionamiento de este manual.
6. Coloque el freno de mano del tractor antes de sacar los cables de arranque, en orden inverso de conexión.

Carga

⚠ ADVERTENCIA

Al cargarse, las baterías emiten un gas que puede causar explosiones. Cargue la batería en un área bien ventilada y manténgala alejada de una llama expuesta o piloto, como los de los calentadores de agua, calefactores de ambiente, hornos, secadores de ropa y otros aparatos a gas.

⚠ PRECAUCIÓN

Cuando cargue la batería de su tractor, utilice únicamente un cargador diseñado para baterías de plomo-ácido de 12V. Lea el manual del operador del cargador de la batería antes de cargar la batería de su tractor. Siempre siga las instrucciones y tenga en cuenta las advertencias.

Si su tractor no se ha utilizado durante un período de tiempo prolongado, cargue la batería de la siguiente manera:

1. Para los modelos con plataforma de 30":
 - a. Ajuste el cargador de batería para que produzca un máximo de 10 amperios.
 - b. Si su cargador de batería es automático, cargue la batería hasta que el cargador indique que se ha completado la carga. Si el cargador no es automático, cargue durante ocho horas como mínimo.
2. Para los modelos con plataforma de 24"
 - a. Para este tractor, está disponible por separado una unidad de carga. Las instrucciones para el uso de esta función se adjuntarán al accesorio de carga de la batería. La unidad de carga se conecta justo al lado de la batería como se indica en la Figura 4-15. Para pedir el cargador de la batería, consulte la hoja del Suplemento sobre Piezas/Garantía.

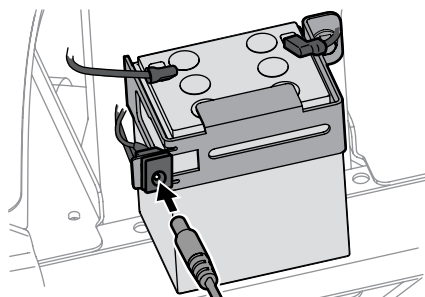


Figura 4-15

Fusible

En el arnés de cables de su tractor cortacésped está instalado un fusible de 15 amperios, que está ubicado justo por encima de la batería, debajo del guardabarros izquierdo, para proteger el sistema eléctrico del tractor de los daños causados por exceso de amperaje.

Si el sistema eléctrico no funciona, o el motor de su tractor no arranca, verifique primero que el fusible no se haya quemado. Se encuentra en la parte posterior del tractor cortacésped, debajo del guardabarros ubicado al lado de la batería.

⚠ PRECAUCIÓN

Utilice siempre un fusible de repuesto con la misma capacidad de amperaje que el fusible quemado.

Cuchilla

⚠ ADVERTENCIA

Apague el motor y extraiga la llave de contacto antes de retirar las cuchillas de corte para afilarlas o reemplazarlas. Proteja sus manos utilizando guantes reforzados cuando sujete las cuchillas.

⚠ ADVERTENCIA

Inspeccione periódicamente la cuchilla y/o el husillo en busca de rajaduras o daños, especialmente después de golpear un objeto extraño. No opere la máquina hasta después de haber reemplazado los componentes dañados.

⚠ PRECAUCIÓN

Si el borde cortante de la cuchilla ha sido afilado previamente o si existe una separación de metal, reemplace las cuchillas por otras nuevas.

La cuchilla se puede sacar de la siguiente manera:

Nota: Puede resultar más fácil cambiar la cuchilla empezando primero por extraer la plataforma de la parte inferior del tractor, (consulte la sección Extracción de la plataforma de corte en partes anteriores de esta sección); luego voltee con delicadeza la plataforma para dejar al descubierto su parte inferior. Sin embargo, es posible cambiar la cuchilla sin sacar la plataforma del tractor. Si se intenta cambiar la cuchilla sin sacar la plataforma del tractor, primero se debe mover la palanca de elevación de la plataforma hasta su posición de corte más elevada.

1. Extraiga la clavija de abono, el canal de la plataforma o el canal de la embolsadora, si viene equipado, dejando a la vista la abertura del canal de la plataforma.
2. Use un bloque de madera de 2 x 4, insértelo dentro de la abertura de la plataforma y haga girar la cuchilla hasta que la madera haga cuña entre la abertura de la plataforma y la cuchilla de corte, como se indica en la Figura 4-16.

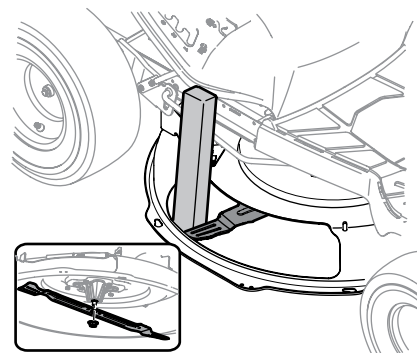


Figura 4-16

- Extraiga la tuerca de brida hexagonal que asegura la cuchilla al montaje del husillo. Vea el recuadro de la Figura 4-16.

Nota: El husillo de la plataforma tiene una rosca normal. Para aflojarlo, rote la tuerca de seguridad con brida en el sentido contrario a las agujas del reloj.

- Para afilar las cuchillas de corte de forma adecuada, extraiga cantidades iguales de metal de ambos extremos de las cuchillas a lo largo de los bordes cortantes, paralelo al borde de caída y a un ángulo de 25° a 30°. Afíle siempre cada borde de las cuchillas de corte de forma pareja para mantener un equilibrio adecuado entre las mismas. Consulte la Figura 4-17.

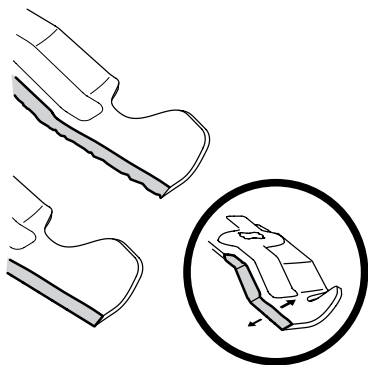


Figura 4-17

⚠ ADVERTENCIA

Una cuchilla mal equilibrada causará exceso de vibración y puede dañar el tractor y/o causar lesiones.

- Pruebe el equilibrio de la cuchilla usando un compensador de cuchillas. Afíle el metal del lado pesado hasta que quede bien equilibrada.

Nota: Cuando reemplace la cuchilla, asegúrese de instalarla con el lado marcado "Bottom" (inferior) (o con el lado que posee un número de pieza estampado) mirando al piso cuando la cortadora de césped está en posición de operación.

⚠ PRECAUCIÓN

Utilice una llave de torsión para ajustar la tuerca de brida hexagonal del husillo de la cuchilla entre 70 pies-libras y 90 pies-libras.

Cambio de la correa de transmisión

Nota: Para cambiar la correa de transmisión del tractor, se deben retirar varios componentes y se requieren herramientas especiales (es decir, llave de impacto/ aire). Solicite a un distribuidor de mantenimiento autorizado que efectúe el reemplazo de la correa de transmisión, o llame por teléfono al Departamento de Atención al Cliente para encontrar un distribuidor cercano. Consulte la página 2 para ver más detalles.

Solución de Problemas

Demasiada vibración

- Cuchilla de corte floja.
 - Ajuste la cuchilla de corte y el husillo de la plataforma.
- Cuchilla de corte dañada, desbalanceada o doblada.
 - Reemplace la cuchilla de corte.

Corte irregular

- La plataforma no está correctamente nivelada.
 - Haga un ajuste de la plataforma de lado a lado.
- Cuchilla de corte desafilada o dañada.
 - Afile o reemplace la cuchilla de corte.
- Presión de neumáticos desigual.
 - Verifique y corrija la presión de los cuatro neumáticos.

El motor no arranca

- La PTO/cuchilla está activada.
 - Coloque la palanca de activación de la cuchilla en posición OFF (desactivada).
- Fusible quemado.
 - Reemplace el/los fusible/s.
- No está colocado el freno de mano.
 - Ponga el freno de mano.
- El adaptador para abono o el canal de la plataforma no se instalaron correctamente.
 - Controle la instalación del canal de la plataforma o el adaptador para abono.
- Consulte el Manual del operador del motor.

La cortadora de césped no realiza el abono con los recortes de césped.

- La velocidad del motor es demasiado lenta.
 - Coloque el control del acelerador en la posición RÁPIDO (liebre)
- El césped está mojado.
 - No realice el abono con los recortes de césped cuando el césped esté mojado.
- El césped está demasiado alto.
 - Corte una vez con altura de corte elevada y luego vuelva a cortar el césped a la altura deseada, o haga una pasada de corte más angosta.
- La cuchilla está desafilada.
 - Afile o reemplace la cuchilla.

Notas