



HOSHIZAKI

KM-40C-HC

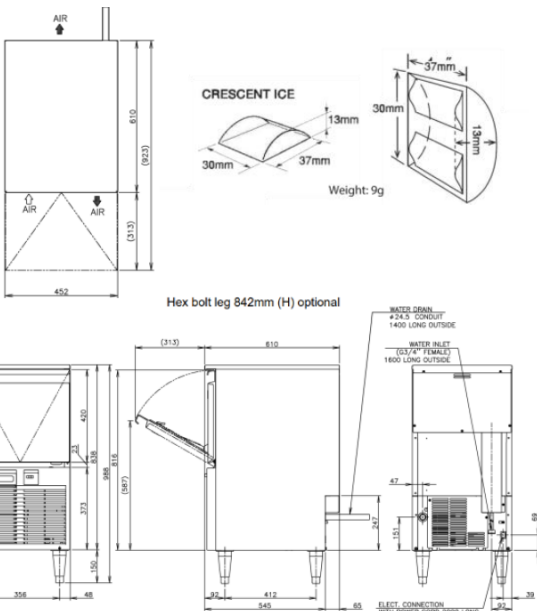
Crescent 41kg Ice Maker - Self Contained

PRODUCT FEATURES

- Individual premium crescent cube with no ice bridging.
- Exceptionally hard crystal clear cubes that melt slowly.
- Durable stainless steel exterior.
- Slide in air filter at front for easy cleaning -maintaining performance efficiency.
- Double-sided stainless steel evaporator for all water conditions -produces more ice in less cycles.
- Flush mount to rear wall.
- Good in hard water areas.
- Snap in water tank design – easy to remove for sanitization.
- Low electrical consumption.
- Low water consumption.
- LED lights and audible alarms.



TECHNICAL DRAWING



PRODUCT SPECIFICATION

Production Capacity / 24hrs	Approx. 41kg @ 21°C Air temp; 15°C Water Approx. 33kg @ 32°C Air temp; 21°C Water
-----------------------------	--

Max Storage Capacity	Approx. 16kg
----------------------	--------------

Dimensions	452mm (W) x 610mm (D) x 988mm (H) (Includes 70mm-1005mm Legs)
------------	--

Cooling	Air
---------	-----

Weight Net/Gross (kg)	39/49
-----------------------	-------

Refrigerant Charge	R290/68g
--------------------	----------

AC Supply Voltage	1 PHASE 220-240V 50Hz/ 10 AMP Plug
-------------------	------------------------------------

Amperage	Running: 7.7A Starting: 1.4A
----------	------------------------------

Operating Conditions:

Ambient Temp	7-38°C
--------------	--------

Water Supply Temp	7-32°C
-------------------	--------

Water Supply Pressure	0.07-0.8MPa (0.7-8bar)
-----------------------	------------------------

Voltage Range	±6%
---------------	-----

INSTALLATION REQUIREMENTS

- Ensure the condenser is cleaned periodically as per the manufacturer's manual.
- Do not plug the unit into multi-plug power boards with other appliances
- Room ventilation or air conditioning can improve the situation by reducing the humidity.
- Hoshizaki recommends the use of a compatible water filter to prevent non-warrantable scale & sediment complications.

*Refer to manual for full installation & maintenance requirements.



For free 6 month extended warranty, register online within 4 weeks of purchase date.
hoshizaki.com.au

